



● steinel

DE

GB

FR

NL

IT

ES

PT

SE

DK

FI

NO

GR

TR

HU

CZ

SK

PL

RO

SI

HR

EE

LT


LV

BG

CN

RU



 professional line

PD-8 KNX
PD-24 KNX

Contents

1.	About this document	34
2.	General safety precautions	34
3.	System description	35
4.	Electrical connection	46
5.	Installation	47
6.	Function	55
7.	Maintenance and care	57
8.	Disposal	57
9.	Manufacturer's warranty	58
10.	Technical specifications	61
11.	Troubleshooting	62

1. About this document

- Under copyright. Reproduction either in whole or in part only with our consent.
- Subject to change in the interest of technical progress.



Hazard warning!



Warning of hazards from electricity!



Warning of hazards from water!

2. General safety precautions



Failure to observe these operating instructions presents hazards!

These instructions contain important information on the safe use of this product. Particular attention is drawn to potential hazards. Failure to observe this information may lead to death or serious injuries.

- Read instructions carefully.
- Follow safety advice.
- Keep instructions within easy reach.
- Working with electrical current may produce hazardous situations. Touching live parts can result in electrical shock, burns or death.
- Work on mains voltage must only be performed by qualified, skilled personnel.
- National wiring regulations and electrical operating conditions must be observed (e.g. D: VDE 0100, A: ÖVE-ÖNORM E8001-1, CH: SEV 1000).

- Only use genuine replacement parts.
- Repairs must only be carried out by companies qualified to do so.

3. System description

Proper use

- Sensor.
- For ceiling mounting indoors.
- AP version for surface-mounted installation.
- UP version for concealed installation.
- DE version for recessed ceiling mounting.
- Connection to a KNX bus system.

Sensor variables

The sensor can detect the following sensor variables:

- Movement.
- Human presence.
- Light level.

Operating principle

The human presence detector is equipped with pyro sensors. The pyro sensors detect the invisible heat emitted by moving objects (e.g. people, animals etc.).

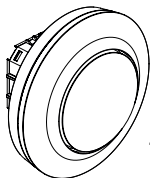
The human presence detector features an additional presence detection capability that provides greater sensitivity for detecting smaller-type movements too. The heat radiation measured in this way is converted electronically into a signal and relayed on via the KNX bus. Heat is not detected through obstacles (such as walls or panes of glass).

Interface

KNX.

Package contents, PD-8 ECO KNX concealed installation

3.1



1x

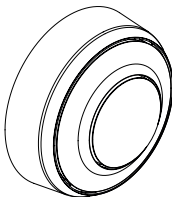


1x

- 1 Sensor
- 1 Shroud
- 1 Safety data sheet (A)
- 1 Quick start guide (B)

Package contents, PD-8 ECO KNX surface-mounted installation

3.2



1x



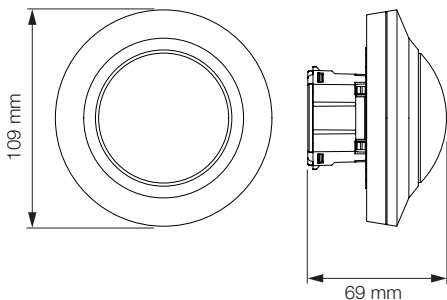
1x

- 1 Sensor
- 1 Shroud
- 1 Safety data sheet (A)
- 1 Quick start guide (B)

Product dimensions, PD-8 ECO KNX concealed installation

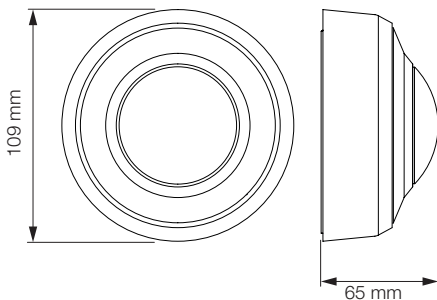
GB

3.3



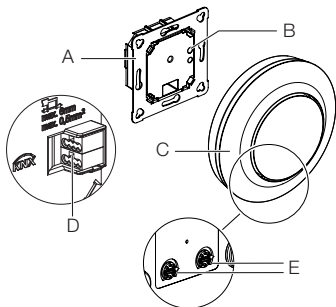
Product dimensions, PD-8 ECO KNX surface-mounted installation

3.4



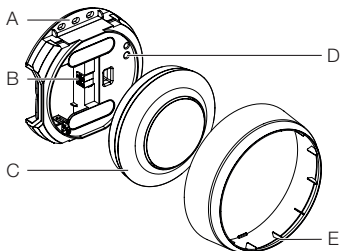
Product components, PD-8 ECO KNX concealed installation

3.5



- A Load module
- B Programming button
- C Sensor module
- D Connecting terminal
- E Potentiometer pin (no function with KNX)

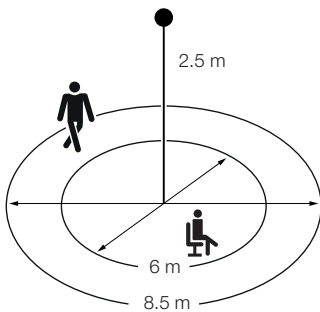
3.6



- A Load module
- B Connecting terminal
- C Sensor module
- D Programming button
- E Cover ring

Detection zone, PD-8 ECO KNX

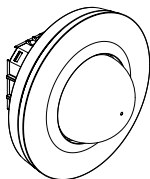
3.7



Package contents, PD-24 ECO KNX concealed installation

GB

3.8



1x

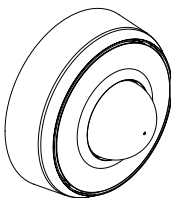


1x

- 1 Sensor
- 1 Shroud
- 1 Safety data sheet (A)
- 1 Quick start guide (B)

Package contents, PD-24 ECO KNX surface-mounted installation

3.9



1x

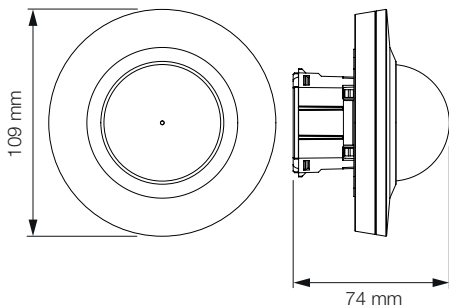


1x

- 1 Sensor
- 1 Shroud
- 1 Safety data sheet (A)
- 1 Quick start guide (B)

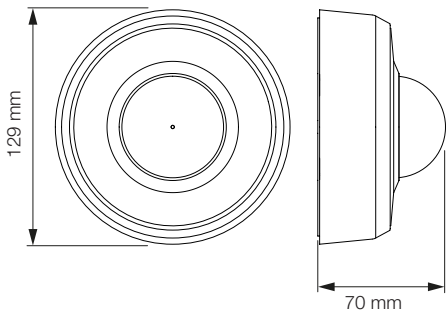
Product dimensions, PD-24 ECO KNX concealed installation

3.10

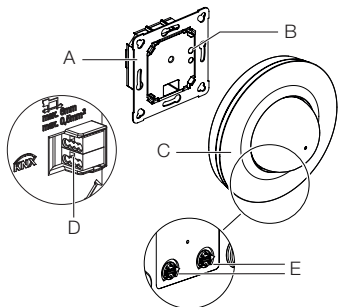


Product dimensions, PD-24 ECO KNX surface-mounted installation

3.11



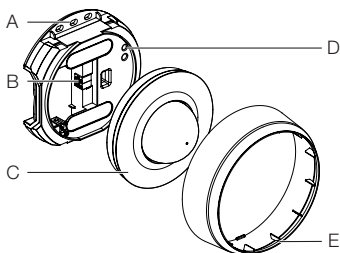
3.12



- A Load module
- B Programming button
- C Sensor module
- D Connecting terminal
- E Potentiometer pin (no function with KNX)

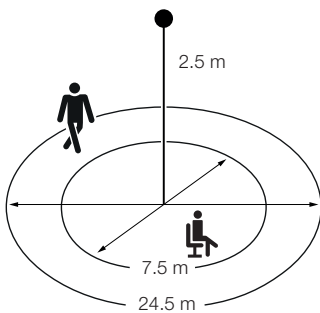
Product components, PD-24 ECO KNX surface-mounted installation

3.13



- A Load module
- B Connecting terminal
- C Sensor module
- D Programming button
- E Cover ring

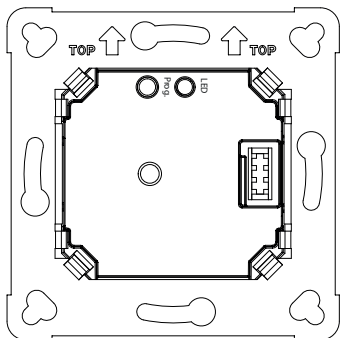
3.14



4. Electrical connection

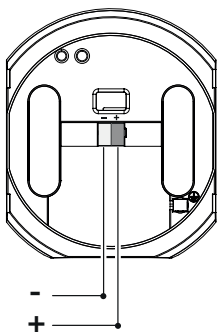
Load module, concealed installation

4.1



Surface-mounting adapter

4.2





Hazard from electrical power.

Touching live parts can result in electrical shock, burns or death.

- Switch OFF power and interrupt power supply.
- Using a voltage tester, check to make sure that the power supply is disconnected.
- Make sure power supply remains interrupted.

Risk of damage to property!

Mixing up connection leads may produce a short circuit.

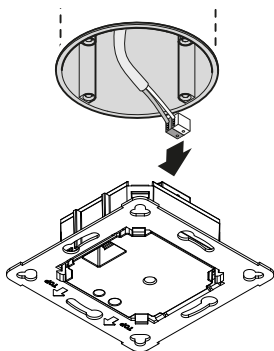
- Identify connection leads.
- Connect the leads correctly.

Preparing for installation

- Check all components for damage. Do not use the product if it is damaged.
- Select an appropriate site to install the product.
 - Take reach into consideration.
 - Take reach and motion detection into consideration.
 - Vibration-free.
 - No obstacles in detection zone.
 - Not in explosive atmospheres.
 - Not on normally flammable surfaces.

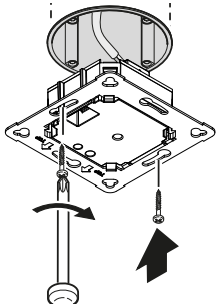
Mounting procedure, concealed installation

5.1



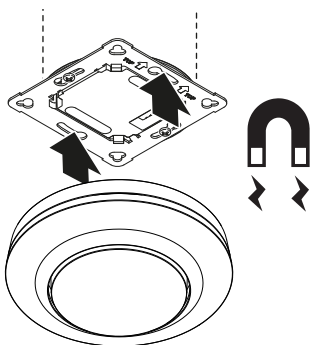
- Check to make sure the power supply is switched OFF.
- Connect KNX terminal.

5.2



- Firmly screw load module onto mounting box.

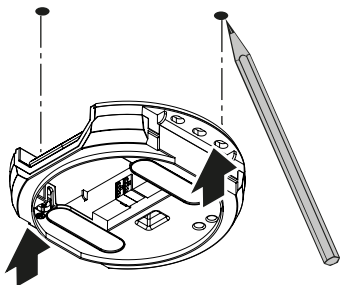
5.3



- Fit magnetic sensor module on load module.
- Switch ON power supply.

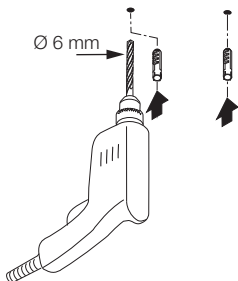
Mounting procedure, surface-mounted installation

5.4



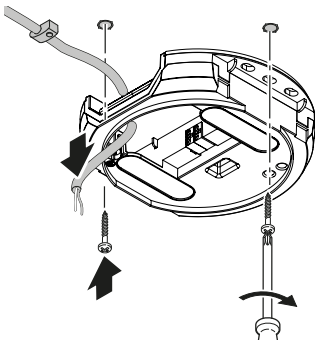
- Check to make sure the power supply is switched OFF.
- Mark drill holes.

5.5



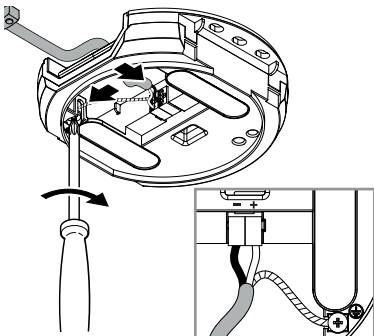
- Drill holes (Ø 6 mm) and fit wall plugs.

5.6



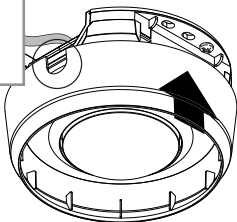
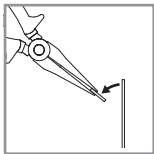
- Feed through cable.
- Screw on load module.

5.7



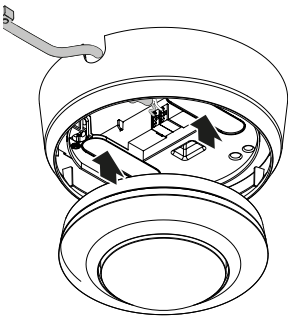
- Connect KNX terminal.

5.8



- Break out the mounting tab.
- Fit surface-mounting adapter.

5.9

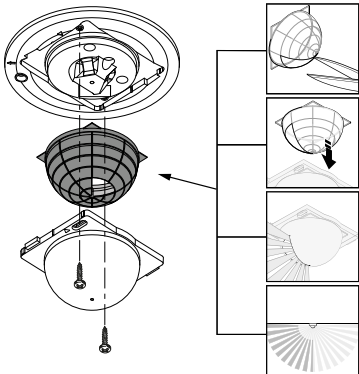


- Fit magnetic sensor module.
- Switch ON power supply.

Adjust detection reach

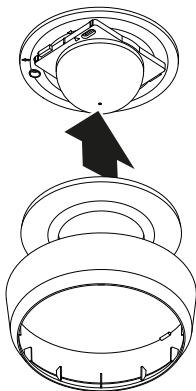
The shroud (included) can be used to adjust the detection zone to suit any specific need.

5.10



- Check to make sure the power supply is switched OFF.
- Detach sensor module from load module.
- Remove cover and lens.
- Cut shroud to size:
shrouded lens segments shorten reach.
- Fit shroud into lens.
- Fasten lens with screws.
- Fit cover ring.
- Fit sensor module onto load module.

5.11



- Fit cover ring.
 - Switch ON power supply.
 - Make settings.
- "6. Function"

6. Function

Factory settings

- See KNX application description.
- Test mode.

LED function

Normal mode: LED OFF

Starting up: LED slowly flashes blue for 10 seconds

Initialisation: LED permanently lights up blue

Identification: The LED flashes blue slowly

Error: The LED flashes red rapidly

Programming mode: LED permanently lit up yellow

Application unloaded: LED slowly flashes yellow

Smart Remote

- Control via smartphone or tablet.
- Load appropriate APP and connect via Bluetooth.

Additional functions, Smart Remote:

- Start programming mode.

Smart Remote APP

To use the Smart Remote app, you will need a smartphone or tablet on which to download the app from the App Store / Play Store. Please note that your device must be able to support Bluetooth.

Android



iOS

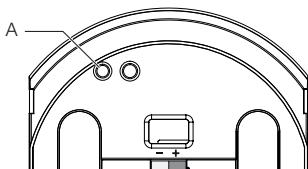
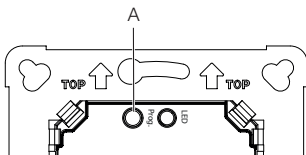


Activating functions

Activating with ETS tool via the “General settings” window.

- Issue physical address.
- Generate application programme in the ETS.
- Load physical address and application programme into the sensor.

6.1



- When prompted, press programming button (A).

Note:

The potentiometers on the sensor module have no functionality.

7. Maintenance and care

The tool requires no maintenance.



Hazard from electrical power.

Contact between water and live parts can result in electric shock, burns or death.

- Only clean tool in a dry state.

Risk of damage to property!

Using the wrong cleaning product can damage the light.

- Clean product with a moist cloth without detergent.

8. Disposal

Electrical and electronic equipment, accessories and packaging must be recycled in an environmentally compatible manner.



Do not dispose of electrical and electronic equipment as domestic waste.

EU countries only:

Under the current European Directive on Waste Electrical and Electronic Equipment and its implementation in national law, electrical and electronic equipment no longer suitable for use must be collected separately and recycled in an environmentally compatible manner.

9. Manufacturer's warranty

Manufacturer's warranty of STEINEL GmbH,
Dieselstrasse 80-84, DE-33442 Herzebrock-Clarholz,
Germany

All STEINEL products meet the highest quality standards. For this reason, we, the manufacturer, are pleased to provide you, the customer, with a warranty under the following terms and conditions:

The warranty covers the absence of deficiencies which are proven to be the result of a material defect or fault in manufacturing and which are reported to us immediately after detection and within the warranty period. The warranty shall cover all STEINEL Professional products sold and used in Germany.

Our warranty cover for consumers

The provisions below apply to consumers. A consumer is any natural person who, on entering into the purchase transaction, neither acts in exercising their commercial nor their self-employed activity.

You can opt for warranty cover in the form of repair or replacement which will be provided free of charge (if applicable, in the form of a successor model of the same or higher quality) or in the form of a credit note.

In the case of sensors, floodlights, outdoor and indoor lights, the warranty period for the STEINEL Professional product you have purchased is **5 years** in each case from the date on which the product was purchased.

We shall bear the shipping costs but not the transport risks involved in return shipment.

Our warranty cover for entrepreneurs

The provisions below apply to entrepreneurs. Entrepreneur is a natural or legal person or partnership with legal personality who or which, on entering into the purchase transaction, acts in exercising their or its commercial or self-employed activity.

We have the option of providing warranty cover by rectifying deficiencies free of charge, replacing a product free of charge (if applicable, in the form of a successor model of the same or higher quality) or by issuing a credit note.

In the case of sensors, floodlights, outdoor and indoor lights, the warranty period for the STEINEL Professional product you have purchased is **5 years** in each case from the date on which the product was purchased.

Within the scope of warranty cover, we shall not bear your expenses accruing from subsequent fulfillment nor shall we bear your expenses for removing the defective product and installing a replacement product.

Statutory rights accruing from defects, gratuitousness

The warranty cover described here shall be applicable in addition to the statutory rights of warranty – including special consumer protection provisions – and shall not restrict or replace them. Exercising your statutory rights in the event of defects is gratuitous.

Exemptions from the warranty

All replaceable lamps are expressly excluded from this warranty.

- In addition to this, the warranty shall not cover:
- any wear resulting from use or any other natural wear of product parts or any deficiencies in the STEINEL Professional product that are attributable to wear caused by use or other natural wear,
- any improper or non-intended use of the product or any failure to observe the operating instructions,
- any unauthorised additions, alterations or other modifications to the product or any deficiencies attributable to the use of accessory,
- supplementary or replacement parts which are not genuine STEINEL parts,
- any maintenance or care of products that is not carried out in accordance with the operating instructions,
- any attachment or installation that is not in accordance with STEINEL's installation instructions,
- any damage or loss occurring in transit.

Application of German law

The warranty shall be governed by German law excluding the United Nations Convention concerning the International Sale of Goods (CISG).

Making claims

If you wish to make a warranty claim, please send your product complete and carriage paid with the original receipt of purchase, which must show the date of purchase and product designation, either to your retailer or directly to us at STEINEL (UK) Ltd. – 25 Manasty Road, Axis Park, Orton Southgate, GB- Peterborough Cambs PE2 6UP United Kingdom. For this reason, we recommend that you keep your receipt of purchase in a safe place until the warranty period expires.

5 YEAR
MANUFACTURER'S
WARRANTY

10. Technical specifications

- Dimensions ($\varnothing \times D$)
 - PD-8 ECO KNX:
 - UP: 109 × 70 mm*
 - AP: 129 × 65 mm*
 - DE: 109 × 109 mm*
 - PD-24 ECO KNX:
 - UP: 109 × 75 mm*
 - AP: 129 × 70 mm*
 - DE: 109 × 114 mm*
- Time setting:
 - 10 seconds to 18:12:15 hours (hh:mm:ss)*
- Brightness setting: *2 – 1,000 lux*
- Current consumption: *15 mA at 24 V*
- Sensor values *light level*
- Reach (at a height of 2.5 m):
 - PD-8 ECO KNX:
 - Tangential, \varnothing 8.5 m*
 - Radial, \varnothing 4.5 m*
 - Human presence, \varnothing 6.0 m*
 - PD-24 ECO KNX:
 - Tangential, \varnothing 24.5 m*
 - Radial, \varnothing 5.5 m*
 - Human presence, \varnothing 7.5 m*
- Angle of coverage: *360°*
- Mounting height: *2.5 – 4 m*
- Optimum mounting height: *2.8 m*
- IP rating: *IP 54 (surface-mounted version only)*
- Temperature range: *-20 °C to +50 °C*

Outputs

- 2 × Light output (ON / OFF, dimming level scene)
- 2 × Constant-lighting controller with basic light level
- 1 × Photo-cell controller
- HVAC
- Presence
- Logic gate
- Absence

11. Troubleshooting

Light does not switch ON.

- No supply voltage.
 - Check supply voltage.
- Lux setting too low.
 - Slowly increase lux setting until light switches ON.
- No movement detection.
 - Ensure unobstructed sensor vision.
 - Check detection zone.

Lights do not switch OFF.

- Lux setting too high.
 - Reduce lux setting.
- Stay-ON time elapsing.
 - Wait until stay-ON time elapses; reduce stay-ON time if necessary.
- Interfering heat sources, e.g. fan heater, open doors and windows, pets, light bulb / halogen floodlight, moving objects.
 - Check detection zone.

Sensor switches OFF despite persons being present.

- Stay-ON time too short.
 - Increase stay-ON time.
- Light-level threshold too low.
 - Change twilight setting.

Sensor does not switch OFF quickly enough.

- Stay-ON time too long.
 - Reduce stay-ON time.

Sensor does not switch ON quickly enough when approached from the front.

- Reach is reduced when approached from the front.
 - Install additional sensors.
 - Adjust reach.
 - Reduce distance between two sensors.

Sensor does not switch ON when persons are present despite it being dark

- Lux setting too low.
 - Increase light-level threshold.
- Semi-automatic mode activated.
 - Activate fully automatic mode or switch light ON at button.
- 4 hours OFF activated
 - Deactivate 4 hours OFF

Sensor not connecting with the app.

- App or smartphone system crash.
 - Restart mobile terminal device.

Innehåll

1.	Om detta dokument	216
2.	Allmänna säkerhetsanvisningar	216
3.	Produktbeskrivning	217
4.	Elektrisk anslutning	228
5.	Montage	229
6.	Funktion	237
7.	Underhåll och skötsel	239
8.	Avfallshantering	239
9.	Tillverkargaranti	240
10.	Tekniska data	243
11.	Åtgärdande av störningar	244

1. Om detta dokument

- Upphovsrättsligt skyddat. Eftertryck, även delar av texten, bara med vårt samtycke.
- Ändringar som görs p.g.a. den tekniska utvecklingen, förbehålles.



Varning för fara!



Varning för fara genom elektrisk ström!



Varning för fara p.g.a. vatten!

2. Allmänna säkerhetsanvisningar



Fara om bruksanvisningen inte följs!

Denna bruksanvisning innehåller viktig information för en säker hantering av apparaten. Särskild uppmärksamhet riktas mot eventuella faror. Om bruksanvisningen inte följs kan det leda till dödsfall eller allvarliga personskador.

- Läs noga igenom bruksanvisningen.
- Följ säkerhetsanvisningarna.
- Förvara den tillgängligt.
- Hantering av elektrisk ström kan leda till farliga situationer. Kontakt med strömförande delar kan medföra elektrisk chock, brännsår eller leda till döden.
- Arbeten på nätspänningen får endast genomföras av kvalificerad yrkespersonal.
- Installationsföreskrifter och anslutningskrav som gäller i respektive land ska iakttas (t.ex. D: VDE 0100, A: ÖVE-ÖNORM E8001-1, CH: SEV 1000).
- Använd endast originalreservdelar.

- Reparationer får endast genomföras av professionella företag.

3. Produktbeskrivning

Ändamålsenlig användning

- Sensor.
- Takmontage inomhus.
- Variant AP för utanpåliggande montage.
- Variant UP för infällt montage.
- Variant DE för takmontage.
- Anslutning till ett KNX-bussystem.

Sensorstorlekar

Sensorn kan registrera följande:

- Rörelse.
- Närvaro.
- Ljusnivå.

Funktionsprincip

Närvarovakten är utrustad med pyrosensorer. Pyrosensorerna känner av den osynliga värmestrålningen från kroppar i rörelse (t.ex. människor, djur).

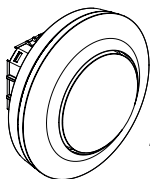
Närvarovakten utmärker sig genom ett extra närvaroområde som ger en känsligare registrering av även små rörelser. Den registrerade värmestrålningen omvandlas på elektronisk väg och ges vidare via KNX-buss. Värmestrålningen registreras inte genom hinder (t.ex. väggar, glasrutor).

Gränssnitt

KNX.

Innehåll PD-8 ECO KNX infällt montage

3.1



1x

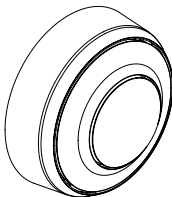


1x

- 1 Sensor
- 1 Täckram
- 1 Säkerhetsdatablad (A)
- 1 Quick-start guide (B)

Innehåll PD-8 ECO KNX utanpåliggande montage

3.2



1x

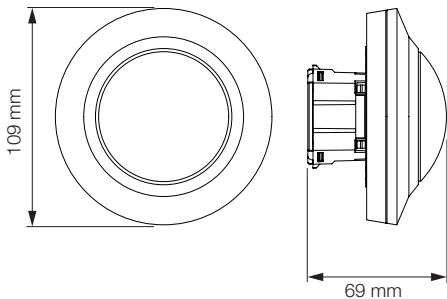


1x

- 1 Sensor
- 1 Täckram
- 1 Säkerhetsdatablad (A)
- 1 Quick-start guide (B)

Produktmått PD-8 ECO KNX infällt montage

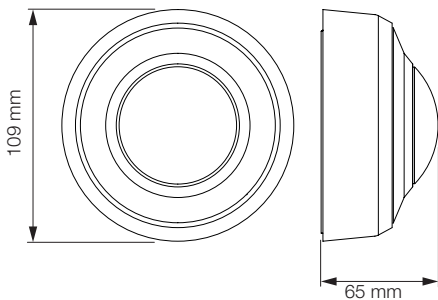
3.3



SE

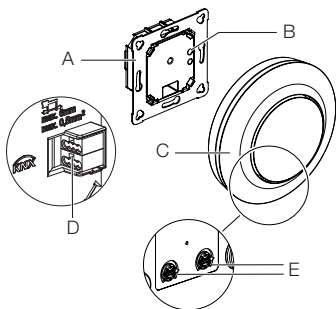
Produktmått PD-8 ECO KNX utanpåliggande montage

3.4



Produktöversikt PD-8 ECO KNX infällt montage

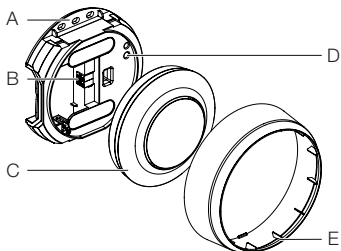
3.5



- A Inkopplingsbox
- B Programmeringsknapp
- C Sensormodul
- D Anslutningsplint
- E Potistift (vid KNX utan funktion)

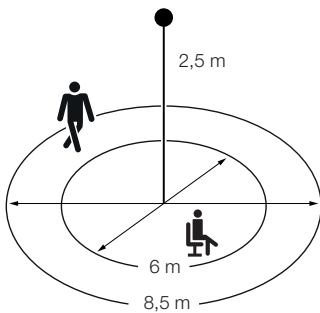
Produktöversikt PD-8 ECO KNX utanpåliggande montage

3.6



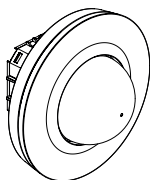
- A Inkopplingsbox
- B Anslutningsplint
- C Sensormodul
- D Programmeringsknapp
- E Täckring

3.7



Innehåll PD-24 ECO KNX infällt montage

3.8



1x

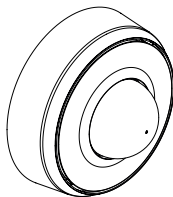


1x

- 1 Sensor
- 1 Täckram
- 1 Säkerhetsdatablad (A)
- 1 Quick-start guide (B)

Innehåll PD-24 ECO KNX utanpåliggande montage

3.9



1x

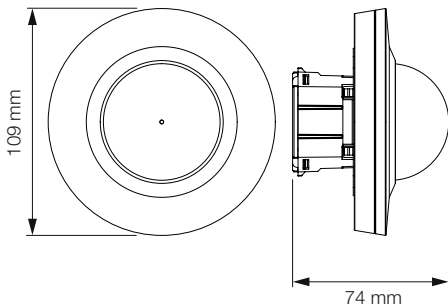


1x

- 1 Sensor
- 1 Täckram
- 1 Säkerhetsdatablad (A)
- 1 Quick-start guide (B)

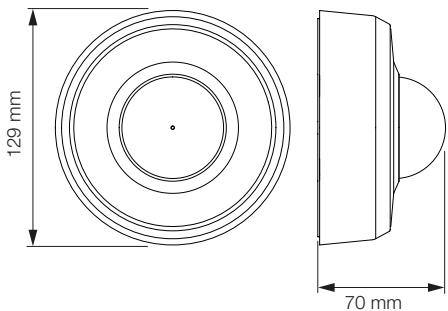
Produktmått PD-24 ECO KNX infällt montage

3.10

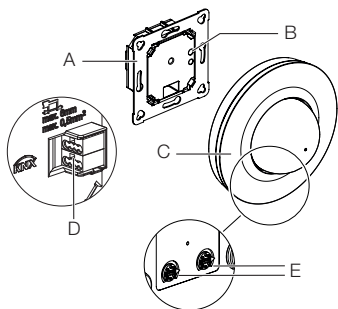


Produktmått PD-24 ECO KNX utanpåliggande montage

3.11



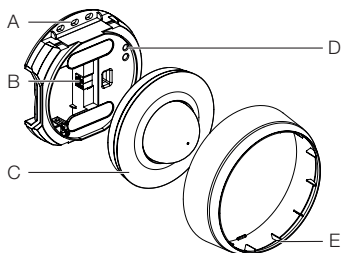
3.12



- A Inkopplingsbox
- B Programmeringsknapp
- C Sensormodul
- D Anslutningsplint
- E Potistift (vid KNX utan funktion)

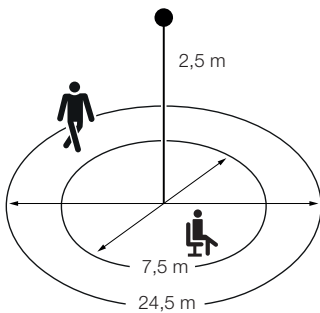
Produktöversikt PD-24 ECO KNX utanpåliggande montage

3.13



- A Inkopplingsbox
- B Anslutningsplint
- C Sensormodul
- D Programmeringsknapp
- E Täckring

3.14

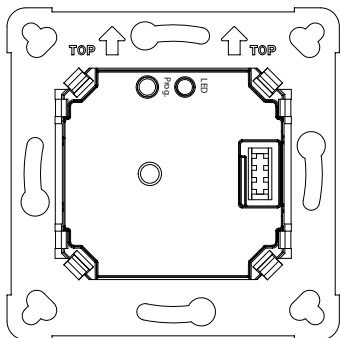


SE

4. Elektrisk anslutning

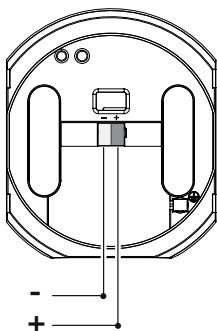
Inkopplingsbox infällt

4.1



Adapter utanpåliggande montage

4.2



5. Montage



Fara p.g.a. elektrisk ström!

Kontakt med strömförande delar kan medföra elektrisk chock, brännsår eller döden.

- Slå ifrån strömmen och avbryt spänningsförsörjningen.
- Kontrollera med spänningsprovare att alla ledningar är spänningsfria.
- Se till att spänningen inte kan slås till igen.

Risk för materiella skador!

En förväxling av anslutningarna kan leda till kortslutning.

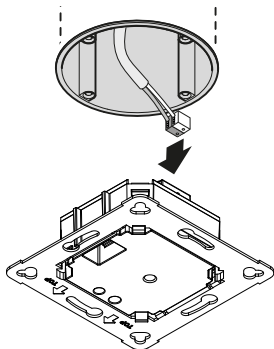
- Identifiera anslutningsledningarna.
- Sammankoppla anslutningsledningarna korrekt.

Montageförberedelser

- Kontrollera samtliga delar med avseende på skador. Är produkten skadad får den inte tas i bruk.
- Välj en lämplig montageplats.
 - Med hänsyn till räckvidden.
 - Med hänsyn till rörelsedetekteringen.
 - Vibrationsfritt.
 - Bevakningsområde utan hinder.
 - Inte i explosionsfarliga miljöer.
 - Inte på lättantändliga underlag.

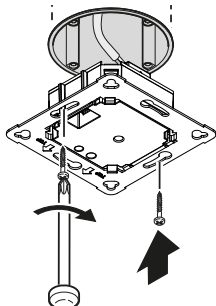
Montagesteg infällt montage

5.1



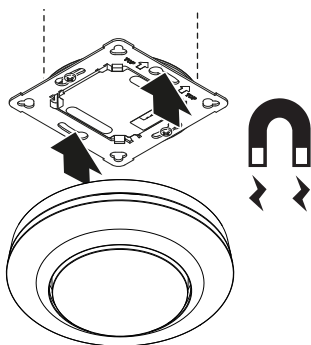
- Kontrollera att spänningen är frånslagen.
- Stick in KNX-klämman.

5.2



- Skruva fast inkopplingsboxen på inbyggnadsdosan.

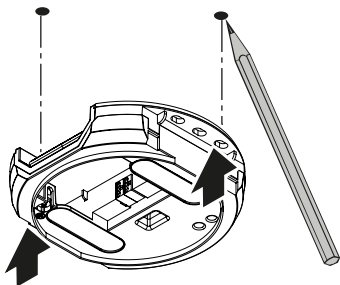
5.3



- Placera den magnetiska sensormodulen på inkopplingsboxen.
- Slå till spänningen.

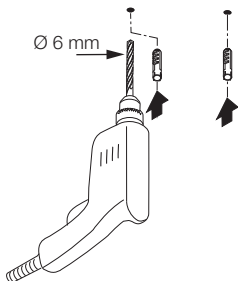
Monteringssteg utanpåliggande montage

5.4



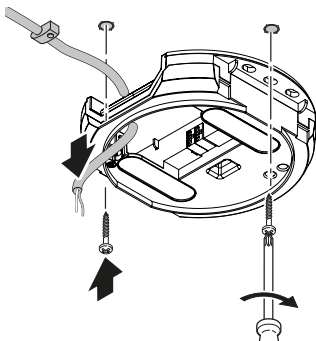
- Kontrollera att spänningen är frånslagen.
- Markera borrhålen.

5.5



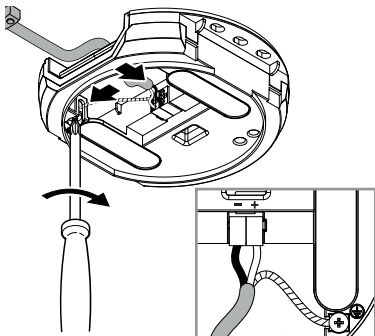
- Borra hål (Ø 6 mm) och sätt i pluggar.

5.6



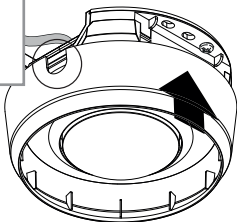
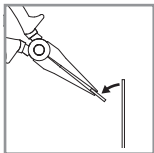
- Dra igenom kabeln.
- Skruva fast inkopplingsboxen.

5.7



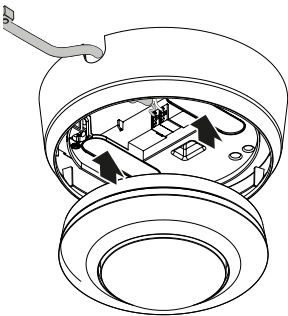
- Stick in KNX-klämman.

5.8



- Bryt bort montagefliken.
- Sätt på adaptern för utanpåliggande montage.

5.9

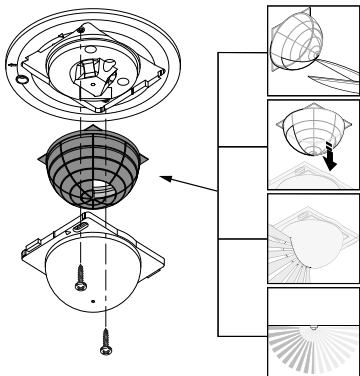


- Sätt på den magnetiska sensormodulen.
- Slå till spänningen.

Anpassa bevakningsräckvidden

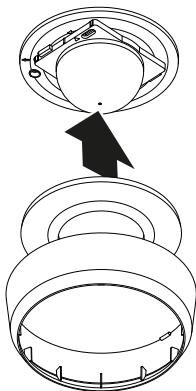
Med täckramen (ingår i leveransen) kan bevakningsräckvidden anpassas individuellt.

5.10



- Kontrollera att spänningen är frånslagen.
- Dra loss sensormodulen från inkopplingsboxen.
- Demontera täckringen och linsen.
- Klipp till täckramen:
övertäckta linssegment förkortar räckvidden.
- Placera täckramen i linsen.
- Fixera linsen med skruvar.
- Sätt på täckringen.
- Sätt på sensormodulen på inkopplingsboxen.

5.11



- Sätt på täckringen.
 - Slå till spänningen.
 - Företa inställningarna.
- "6. Funktion"

6. Funktion

Fabriksinställningar

- Se KNX applikationsbeskrivning.
- Testdrift.

LED-funktion

Normaldrift: LED uteblir

Start: LED blinkar långsamt blått i 10 sekunder

Initiering: LED lyser konstant blått

Identifiering: LED blinkar långsamt blått

Fel: LED blinkar snabbt rött

Programmeringsläge: LED lyser konstant gult

Applikation urladdning: LED blinkar långsamt gult

Smart Remote

- Styrning via smartphone eller surfplatta.
- Ladda ner den passande appen och anslut via Bluetooth.

Extra funktioner Smart Remote:

- Starta programmeringsläget.

Smart Remote APP

För att kunna använda Smart Remote App behöver du en smartphone eller en surfplatta, till vilken du kan ladda ner appen från App Store / Play Store. Observera att din apparat måste vara Bluetooth-förberedd.

Android



iOS

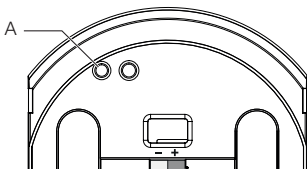
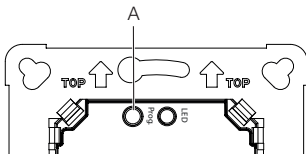


Funktionernas aktivering

Aktivering med ETS-Tool via parameterfönstret "Allmänna inställningar".

- Ange en fysikalisk adress.
- Skapa applikationsprogram i ETS.
- Ladda den fysikaliska adressen och applikationsprogrammet i sensorn.

6.1



- Tryck på programmeringsknappen (A) vid begäran.

Anmärkning:

Potentiometrarna på sensormodulen har ingen funktion.

7. Underhåll och skötsel

Apparaten är underhållsfri.



Fara p.g.a. elektrisk ström!

Om vatten kommer i kontakt med strömförande delar kan det medföra elektrisk chock, brännskador eller dödsfall.

- Rengör bara apparaten när den är torr.

Risk för materiella skador!

Felaktiga rengöringsmedel kan orsaka skador på apparaten.

- Rengör den med en lätt fuktad trasa utan rengöringsmedel.

SE

8. Avfallshantering

Elapparater, tillbehör och förpackningar måste lämnas in till miljövänlig återvinning.



Kasta inte elapparater i hushållssoporna!

Gäller endast EU-länder:

Enligt det gällande europeiska direktivet om uttjänta elektriska och elektroniska apparater och dess omsättning i nationell lagstiftning, måste uttjänta elapparater samlas separat och lämnas in till miljövänlig återvinning.

9. Tillverkargaranti

Tillverkargaranti STEINEL GmbH, Dieselstraße 80-84, DE-33442 Herzebrock-Clarholz, Tyskland

Alla produkter från STEINEL uppfyller högsta kvalitetsanspråk. Av den anledningen tillhandahåller vi som tillverkare dig som kund gärna en garanti enligt nedanstående villkor:

Garantin omfattar frihet från brister, som bevisligen beror på ett material- eller tillverkningsfel och omgående meddelas oss efter att det konstaterats och inom garantitiden. Garantin omfattar samtliga STEINEL Professional-produkter som köps och används i Tyskland.

Vår garanti för konsumenter

Nedanstående bestämmelser gäller för konsumenter. En konsument är varje naturlig person som vid köptransaktionen varken utövar sin industriella eller självständiga yrkesverksamhet.

Du kan välja, om vi ska fullgöra garantin genom en gratis reparation, gratis utbyte (evtl. genom en lik- eller mervärdig, nyare modell) eller genom ett tillgodohavande.

Garantitiden för den STEINEL Professional-produkt som du köpt är för sensorer, strålkastare, utomhus- och inomhusbelysning **5 år** alltid från produktens inköpsdatum.

Vi åtar oss transportkostnaderna för retursändningen men inte transportriskerna.

Vår garanti för företagare

Nedanstående bestämmelser gäller för företagare.

Företagare är en naturlig eller juridisk person eller ett rättskapabelt personbolag som vid köptransaktionen utövar sin industriella eller självständiga yrkesverksamhet.

Vi avgör, om vi ska fullgöra garantin genom gratis åtgärdande av bristerna, gratis utbyte (evtl. genom en lik- eller mervärdig, nyare modell) eller genom ett tillgodohavande.

Garantitiden för den STEINEL Professional-produkt som du köpt är för sensorer, strålkastare, utomhus- och inomhusbelysning **5 år** alltid från produktens inköpsdatum.

Inom ramen för garantin ersätter vi inte dina utgifter som krävs vid en kompletterande prestation och inte dina utgifter vid utbyggnaden av den bristfälliga produkten och inbyggnaden av en utbytesprodukt.

Garantirättigheter, kostnadsfrihet

De tjänster som beskrivs här gäller utöver de lagliga garantianspråken - inklusive särskilda skyddsbestämmelser för konsumenterna - och begränsar eller ersätter inte dessa. Att utöva sina lagliga rättigheter vid brister är kostnadsfritt.

Undantaget från garantin

Uttryckligen undantagna från denna garanti är alla utbytbara ljuskällor.

Därutöver bortfaller garantin:

- vid normal förslitning p.g.a. användning eller annan naturlig förslitning på produktdelar eller brister på STEINEL Professional-produkten, som beror på normal förslitning p.g.a. användning eller annan naturlig förslitning,
- vid användning av produkten för ändamål den inte är avsedd eller vid osakkunnig användning eller om bruksanvisningen ignoreras,
- om till- och ombyggnader resp. andra modifikationer på produkten genomförts egenmäktigt eller om brister kan hänföras till att tillbehörs-, kompletterings- eller reservdelar inte är STEINEL originaldelar,
- om underhåll och skötsel av produkten inte motsvarat bruksanvisningen,
- om montering och installation inte utförts enligt installationsbestämmelserna från STEINEL,
- vid transportskador eller -förluster.

Tysk lags giltighet

Tysk lagstiftning gäller och undantaget är överenskommen med Förenta Nationerna om avtal för den internationella varuhandeln (CISG).

Göra gällande

Om du vill ta din garanti i anspråk, så skickar du din produkt fullständig tillsammans med originalkvittot, där köpedatum och produktbeteckning måste framgå, till din återförsäljare eller direkt till oss, Karl H Ström AB, Verktygsvägen 4, SE-55302 Jönköping. Därför rekommenderar vi att du sparar kvittot väl tills garantitiden har gått ut.

5 Å R S
TILLVERKAR
GARANTI

10. Tekniska data

- Mått (Ø × D)
 - PD-8 ECO KNX: UP: 109 × 70 mm
AP: 129 × 65 mm
DE: 109 × 109 mm
 - PD-24 ECO KNX: UP: 109 × 75 mm
AP: 129 × 70 mm
DE: 109 × 114 mm
- Efterlystid:
 - 10 sekunder till 18:12:15 timmar (hh:mm:ss)
- Ljustinställning: 2 – 1.000 lux
- Strömförbrukning: 15 mA vid 24 V
- Sensorvärden: ljusnivåvärde
- Räckvidd (på 2,5 m höjd):
 - PD-8 ECO KNX: tangentiell Ø 8,5 m
radiell Ø 4,5 m
närvaro Ø 6,0 m
 - PD-24 ECO KNX: tangentiell Ø 24,5 m
radiell Ø 5,5 m
närvaro Ø 7,5 m
- Bevakningsvinkel: 360°
- Montagehöjd: 2,5 – 4 m
- Optimal montagehöjd: 2,8 m
- Skyddsklass: IP 54 (bara utanpåliggande variant)
- Temperaturområde: -20 °C till +50 °C

Utgångar

- 2 × Ljusutgång (ON / OFF, dimringsvärde plats)
- 2 × Konstantljusreglering med grundbelysning
- 1 × Skymningsrelä
- VVL
- Närvaro
- Logic gate
- Frånvaro

11. Åtgärdande av störningar

Ljuset tänds inte.

- Ingen spänning ansluten.
 - Kontrollera anslutningsspänningen.
- Skymningsvärde för lågt inställt.
 - Öka långsamt skymningsvärdet tills ljuset tänds.
- Ingen rörelse i sensorns bevakningsområde.
 - Kontrollera så att sensorn kan känna av önskat bevakningsområde.
 - Kontrollera bevakningsområdet.

Ljuset släcks inte.

- Skymningsvärde för högt.
 - Sänk skymningsnivån.
- Efterlystiden löper ut.
 - Vänta tills efterlystiden har löpt ut, reducera efterlystiden om det behövs.
- Påverkan från värmekällor t.ex. värmefläkt, öppna dörrar och fönster, husdjur, varma ljuskällor, rörliga objekt.
 - Kontrollera bevakningsområdet.

Sensorn släcker ljuset trots rörelse i bevakningsområdet.

- Efterlystiden för kort inställd.
 - Öka efterlystiden.
- Skymningsnivå för lågt inställd.
 - Ändra skymningsnivån.

Sensorn släcker inte ljuset tillräckligt snabbt.

- Efterlystiden för långt inställd.
 - Minska efterlystiden.

Ljuset tänds inte snabbt nog när man går rakt mot sensorn.

- Räckvidden är reducerad vid rörelse rakt emot sensorn.
 - Anslut ytterligare sensorer.
 - Anpassa räckvidden.
 - Minska avståndet mellan två sensorer.

Sensorn tändar inte ljuset trots rörelse och mörker.

- Skymningsvärde för lågt inställt.
 - Öka skymningsvärdet.
- Halvautomatik aktiv.
 - Aktivera helautomatiken eller tänd ljuset med knappen.
- 4 timmar AV aktiv.
 - Avaktivera 4 timmar AV.

Sensorn kopplar inte upp sig mot appen.

- Systemkrasch i appen eller smarttelefonen.
 - Starta om den mobila enheten.

SE

Innhold

1.	Om dette dokumentet	305
2.	Generelle sikkerhetsinstrukser	305
3.	Beskrivelse av enheten	306
4.	Elektrisk tilkobling	317
5.	Montering	318
6.	Funksjon	326
7.	Vedlikehold og stell	328
8.	Avfallsbehandling	328
9.	Produsentgaranti	329
10.	Tekniske spesifikasjoner	330
11.	Utbedring av feil	331

1. Om dette dokumentet

- Med opphavsrett. Ettertrykk, også i utdrag, kun med vår tillatelse.
- Det tas forbehold om endringer som tjener tekniske fremskritt.



Advarsel om fare!



Advarsel om fare på grunn av strøm!



Advarsel om fare på grunn av vann!

NO

2. Generelle sikkerhetsinstrukser



Fare dersom bruksanvisningen ignoreres!

Denne anvisningen inneholder viktig informasjon for sikker bruk av enheten. Det gjøres ekstra oppmerksom på mulige farer. Ignoreres disse, kan dette føre til død eller alvorlige personskader.

- Les bruksanvisningen nøye.
- Følg sikkerhetsinstruksene.
- Oppbevar bruksanvisningen tilgjengelig.
- Bruk av elektrisk strøm kan føre til farlige situasjoner. Berøring av strømførende deler kan føre til elektrisk sjokk, forbrenninger eller død.
- Arbeid på nettspenningen skal kun utføres av kvalifisert fagpersonale.
- Følg nasjonale installasjonsforskrifter og tilkoblingskrav (f.eks. D: VDE 0100, A: ÖVE-ÖNORM E8001-1, CH: SEV 1000).

- Bruk kun originale reservedeler.
- Reparasjoner skal kun utføres av fagbedrifter.

3. Beskrivelse av enheten

Forskriftsmessig bruk

- Sensor.
- Montering i tak innendørs.
- Variant AP for åpent opplegg.
- Variant UP for skjult opplegg.
- Variant DE for innfelt montering i tak.
- Tilkobling til et KNX-bussystem.

Sensorverdier

Sensoren kan registrere følgende sensorverdier:

- Bevegelse.
- Tilstedeværelse.
- Lysstyrke.

Funksjon

Tilstedeværelsessensoren er utstyrt med pyrosensorer. Pyrosensorene registrerer den usynlige varmeutstrålingen fra mennesker og dyr etc. som beveger seg.

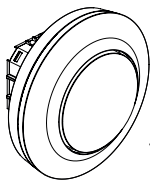
Tilstedeværelsessensoren kjennetegnes av et ekstra tilstedeværelsesområde som gjør en følsommere registrering av selv små bevegelser mulig. Denne registrerte varmestrålingen omdannes elektronisk og gis videre via KNX-bussen. Det registreres ingen varmeutstråling gjennom hindre som f.eks. murvegger eller glassflater.

Grensesnitt

KNX.

Leveringsomfang PD-8 ECO KNX skjult

3.1



1x



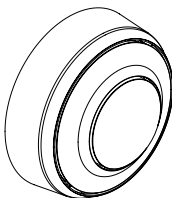
1x

- 1 Sensor
- 1 Dekkplate
- 1 Sikkerhetsdatablad (A)
- 1 Hurtigstart-guide (B)

NO

Leveringsomfang PD-8 ECO KNX åpent

3.2



1x

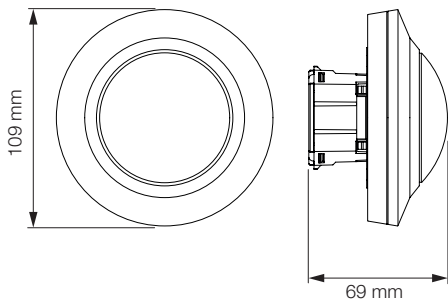


1x

- 1 Sensor
- 1 Dekkplate
- 1 Sikkerhetsdatablad (A)
- 1 Hurtigstart-guide (B)

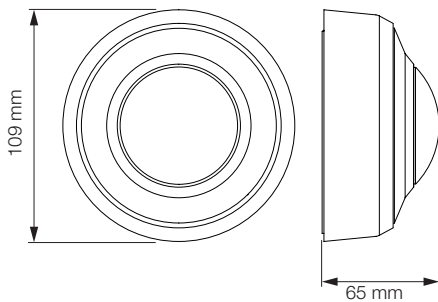
Produktmål PD-8 ECO KNX skjult

3.3



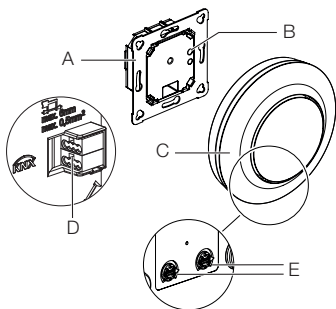
Produktmål PD-8 ECO KNX åpent

3.4



Oversikt over enhet PD-8 ECO KNX skjult

3.5

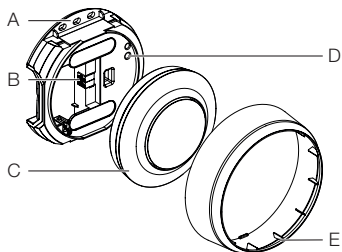


- A Lastmodul
- B Programmeringstast
- C Sensormodul
- D Koblingsklemme
- E Potensiometerstift (uten funksjon ved KNX)

NO

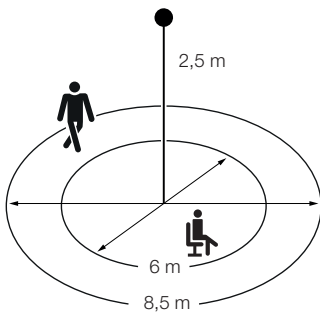
Oversikt over enhet PD-8 ECO KNX åpent

3.6



- A Lastmodul
- B Koblingsklemme
- C Sensormodul
- D Programmeringstast
- E Dekkring

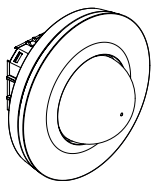
3.7



NO

Leveringsomfang PD-24 ECO KNX skjult

3.8



1x

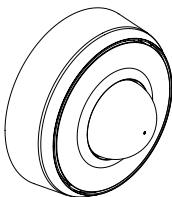


1x

- 1 Sensor
- 1 Dekkplate
- 1 Sikkerhetsdatablad (A)
- 1 Hurtigstart-guide (B)

Leveringsomfang PD-24 ECO KNX åpent

3.9



1x

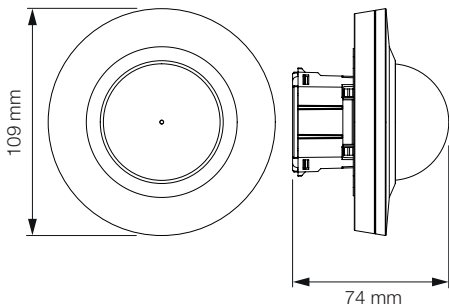


1x

- 1 Sensor
- 1 Dekkplate
- 1 Sikkerhetsdatablad (A)
- 1 Hurtigstart-guide (B)

Produktmål PD-24 ECO KNX skjult

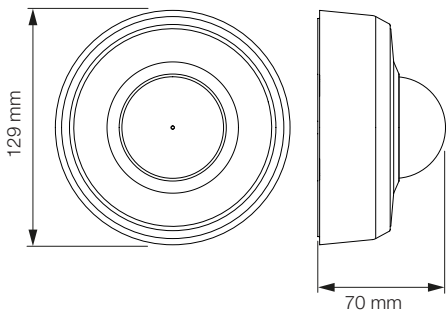
3.10



NO

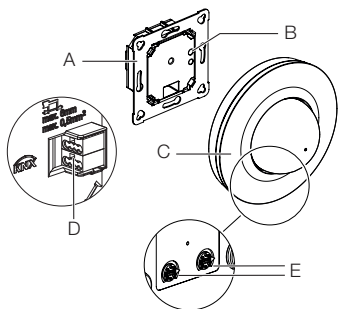
Produktmål PD-24 ECO KNX åpent

3.11



Oversikt over enhet PD-24 ECO KNX skjult

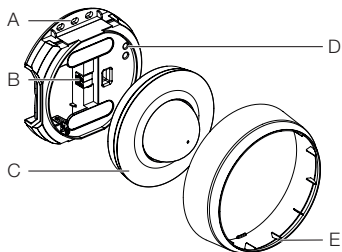
3.12



- A Lastmodul
- B Programmeringstast
- C Sensormodul
- D Koblingsklemme
- E Potensiometerstift (uten funksjon ved KNX)

Oversikt over enhet PD-24 ECO KNX åpent

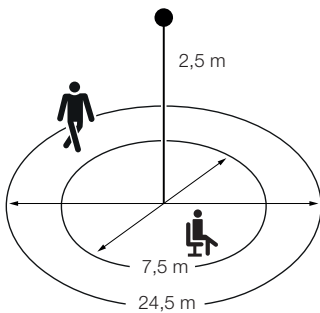
3.13



- A Lastmodul
- B Koblingsklemme
- C Sensormodul
- D Programmeringstast
- E Dekkring

NO

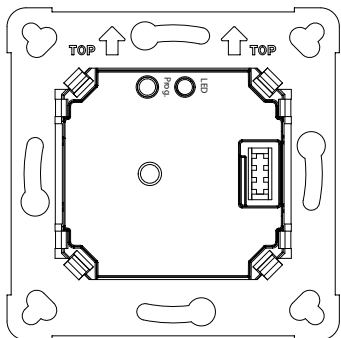
3.14



4. Elektrisk tilkobling

Lastmodul skjult

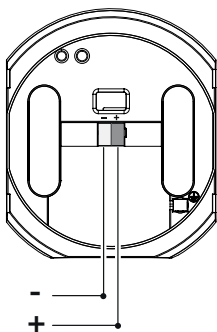
4.1



NO

Utenpåliggende adapter

4.2



5. Montering



Elektrisk strøm kan utgjøre fare!

Berøring av strømførende deler kan føre til elektrisk sjokk, forbrenninger eller død.

- Slå av strømmen og stans strømtilførselen.
- Bruk en spenningstester til å kontrollere at ledningen er strømfri.
- Påse at strømtilførselen forblir stanset.

Fare for materielle skader!

Forveksles tilkoblingsledningene, kan dette føre til kortslutning.

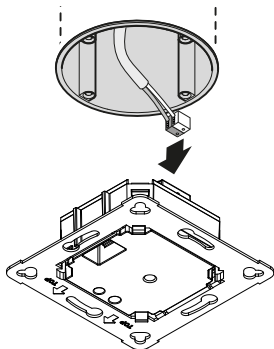
- Identifiser tilkoblingsledningene.
- Koble tilkoblingsledningene korrekt til.

Forberede montering

- Kontroller alle komponenter for skader. Ikke ta produktet i bruk dersom det er skadet.
- Velg et egnet monteringssted.
 - Ta hensyn til rekkevidden.
 - Ta hensyn til bevegelsesregistreringen.
 - Vibrasjonsfritt.
 - Dekningsområdet er fritt for hindre.
 - Ikke i eksplosive omgivelser.
 - Ikke på lett antenkelige overflater.

Fremgangsmåte ved montering, skjult montering

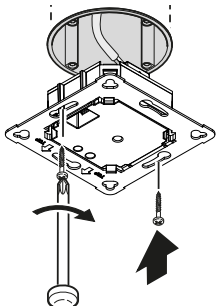
5.1



- Sjekk at strømtilførselen er stanset.
- Sett i KNX-klemmen.

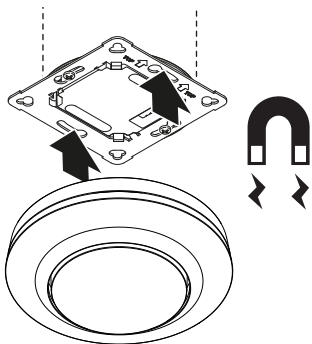
NO

5.2



- Skru lastmodulen på monteringsboksen.

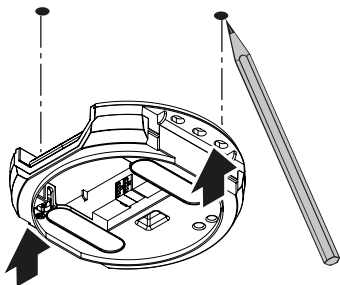
5.3



- Sett den magnetiske sensormodulen på lastmodulen.
- Slå på strømtilførselen.

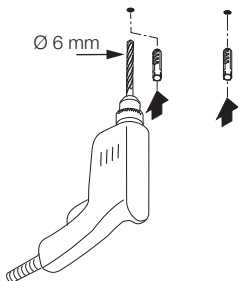
Fremgang ved montering, åpen montering

5.4



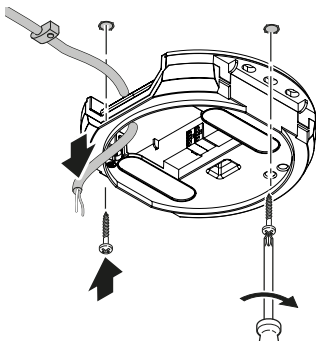
- Sjekk at strømtilførselen er stanset.
- Tegn borehull.

5.5



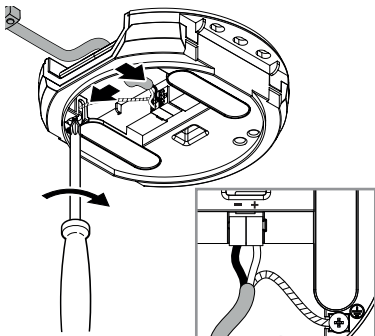
- Bor hull (Ø 6 mm) og sett inn pluggen.

5.6



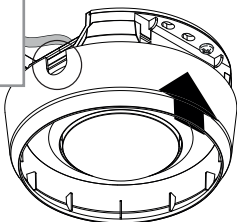
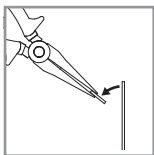
- Trekk gjennom ledningen.
- Skru på lastmodulen.

5.7



- Sett i KNX-klemmen.

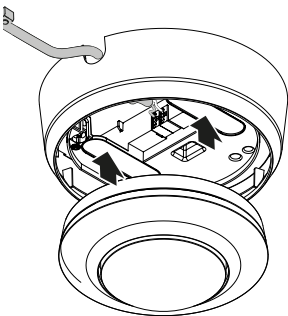
5.8



- Trykk ut monteringslasken.
- Sett på utenpåliggende adapter.

NO

5.9

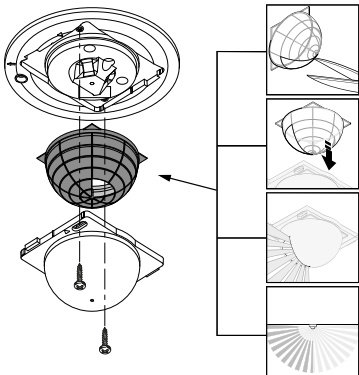


- Sett på den magnetiske sensormodulen.
- Slå på strømtilførselen.

Tilpasse dekningsrekkevidden

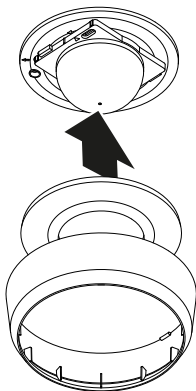
Dekningsrekkevidden kan tilpasses individuelt ved hjelp av dekkplaten (inkludert i leveransen).

5.10



- Sjekk at strømtilførselen er stanset.
- Trekk sensormodulen av lastmodulen.
- Demonter dekkring og linse.
- Klipp til dekkplaten:
Tildekkede linsesegmenter forkorter rekkevidden.
- Legg dekkplaten inn i linsen.
- Fest linsen med skruer.
- Sett på dekkringen.
- Fest sensormodulen på lastmodulen.

5.11



- Sett på dekkringen.
 - Slå på strømtilførselen
 - Still inn.
- «6. Funksjon»

NO

6. Funksjon

Fabrikkinnstillinger

- Se KNX applikasjonsbeskrivelse.
- Prøvedrift.

LED-funksjon

Normal modus: LED av

Starte: LED-en blinker langsomt blått i 10 sekunder

Initialisering: LED-en lyser konstant blått

Identifisering: LED-en blinker langsomt blått

Feil: LED-en blinker fort rødt

Programmeringsmodus: LED lyser konstant gult

Applikasjonen er utladet: LED blinker sakte gult

Smart Remote

- Styring via smarttelefon eller nettbrett.
- Last ned passende app og koble til via Bluetooth.

Tilleggsfunksjoner Smart Remote:

- Starte programmeringsmodus.

Smart Remote-app

For bruk av Smart Remote-appen trenger du en smarttelefon eller et nettbrett du kan laste ned appen fra App Store / Play Store. Vær oppmerksom på at enheten din må støtte Bluetooth.

Android



iOS

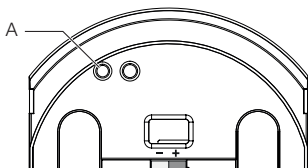
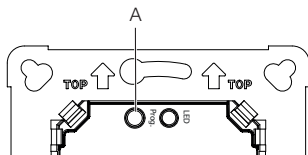


Aktivere funksjonene

Aktivering med ETS-verktøy via parametervinduet «Generelle innstillinger».

- Gi en fysisk adresse.
- Opprett applikasjonsprogram i ETS.
- Last fysisk adresse og applikasjonsprogram til sensoren.

6.1



- Trykk på programmeringstast (A) når du oppfordres til det.

NB:

Potensiometrene på sensormodulen har ingen funksjon.

7. Vedlikehold og stell

Enheten er vedlikeholdsfri.



Elektrisk strøm kan utgjøre fare!

Kommer strømførende deler i kontakt med vann, kan dette føre til elektrisk sjokk, forbrenninger eller død.

- Enheten skal kun rengjøres når den er tørr.

Fare for materielle skader!

Bruk av feil rengjøringsmiddel kan skade enheten.

- Rengjør enheten med en lett fuktig klut uten rengjøringsmiddel.

8. Avfallsbehandling

Elektriske apparater, tilbehør og emballasje skal resirkuleres på en miljøvennlig måte.



Ikke kast elektriske apparater i husholdningsavfallet.

Gjelder kun EU-land:

I henhold til gjeldende europeiske retningslinjer for elektrisk og elektronisk avfall og gjennomføringen av det i nasjonal lovgivning, skal elektrisk utstyr som ikke lenger kan brukes, samles inn separat og resirkuleres på en miljøvennlig måte.

9. Produsentgaranti

Produsentgaranti STEINEL GmbH, Dieselstraße 80-84, DE-33442 Herzebrock-Clarholz, Tyskland

Som kjøper har du eventuelt lovfestede mangel eller garantirettigheter overfor selger. I den grad disse rettighetene finnes i ditt land, verken innskrenkes eller forkortes de på grunn av vår garantierklæring. Vi gir deg fem års garanti på at ditt sensorprodukt fra STEINEL Professional er uten mangler og fungerer som det skal. Vi garanterer at dette produktet ikke har material-, produksjons- eller konstruksjonsfeil. Vi garanterer at alle elektroniske deler og kabler fungerer, og at alle materialer og overflater er uten mangler.

Garantikrav:

Dersom du ønsker å reklamere på produktet, må du pakke det godt inn, frankere det og sende hele produktet i retur sammen med original kjøpskvittering som viser kjøpsdato og produktnavn. Produktet sendes til forhandler eller direkte til oss: Vilan AS – Olaf Helsets vei 5, 0694 Oslo, Norge. Vi anbefaler deg derfor å ta godt vare på kjøpskvitteringen til garantiperioden er utløpt. STEINEL tar ikke ansvar for transportkostnader eller risiko i sammenheng med retur-sendingen. Informasjon om hvordan du gjør garantikrav gjeldende finner du på hjemmesiden vår, www.vilan.no

Ta gjerne kontakt med oss om du har garantikrav eller spørsmål angående produktet ditt.

Du når oss på +47 22 72 50 00.

5 Å R S
PRODUSENT
GARANTI

10. Tekniske spesifikasjoner

- Mål ($\varnothing \times D$)
 - PD-8 ECO KNX: UP: 109 × 70 mm
AP: 129 × 65 mm
DE: 109 × 109 mm
 - PD-24 ECO KNX: UP: 109 × 75 mm
AP: 129 × 70 mm
DE: 109 × 114 mm
- Tidsinnstilling:
10 sekunder til 18:12:15 timer (hh:mm:ss)
- Lysstyrkeinnstilling: 2 – 1.000 lux
- Strømopptak: 15 mA ved 24 V
- Sensorverdier: lysstyrkeverdi
- Rekkevidde (ved 2,5 m høyde):
 - PD-8 ECO KNX: tangentiell \varnothing 8,5 m
radial \varnothing 4,5 m
tilstedeværelse \varnothing 6,0 m
 - PD-24 ECO KNX: tangentiell \varnothing 24,5 m
radial \varnothing 5,5 m
tilstedeværelse \varnothing 7,5 m
- Dekningsvinkel: 360°
- Monteringshøyde: 2,5 – 4 m
- Optimal monteringshøyde: 2,8 m
- Kapslingsgrad: IP 54 (kun utenpåliggende variant)
- Temperaturområde: -20 °C til +50 °C

Utganger

- 2 × Lysutgang (ON / OFF, dimmeverdi scene)
- 2 × Konstantlysregulering med grunnbelysning
- 1 × Skumringsbryter
- HVAC
- Tilstedeværelse
- Logisk port
- Fravær

11. Utbedring av feil

Lyset tennes ikke.

- Ingen tilførselsspenning.
 - Kontroller tilførselsspenningen.
- Det er stilt inn for lav lux-verdi.
 - Øk lux-verdien sakte til lyset tennes.
- Ingen bevegelsesregistrering.
 - Sørg for uhindret sikt til sensoren.
 - Kontroller dekningsområdet.

Lyset slukkes ikke.

- For høy lux-verdi.
 - Still inn lavere lux-verdi.
- Belysningstiden går ut.
 - Vent til belysningstiden går ut, still ev. inn kortere belysningstid.
- Varmekilder forstyrrer: f.eks. vifteovn, åpne dører og vinduer, husdyr, lyspære / halogenlyskaster, objekter som beveger seg.
 - Kontroller dekningsområdet.

Sensoren slås av på tross av tilstedeværelse.

- For kort belysningstid.
 - Øk belysningstiden.
- For lav nom. verdi for lysstyrke.
 - Endre skumringsinnstillingen.

Sensoren slår seg av for sent.

- For lang belysningstid.
 - Reduser belysningstiden.

Sensoren slår seg på for sent ved frontal gangretning.

- Rekkevidden ved frontal gangretning er redusert.
 - Monter flere sensorer.
 - Tilpass rekkevidden.
 - Reduser avstanden mellom to sensorer.

Sensoren slås ikke på ved tilstedeværelse selv om det er mørkt.

- Det er valgt for lav lux-verdi.
 - Øk nom. verdi for lysstyrke.
- Halvautomatisk modus aktiv.
 - Aktiver helautomatisk modus eller tenn lys med trykkbryteren.
- 4 timer AV aktivert.
 - Deaktiver 4 timer AV.

Sensoren kobles ikke til appen.

- Systemkrasj på app eller smarttelefon.
 - Start den mobile enheten på nytt.

STEINEL GmbH

Dieselstraße 80-84

33442 Herzebrock-Clarholz

Tel: +49/5245/448-188

www.steinell.de

**Contact**

www.steinell.de/contact

