

● steinel

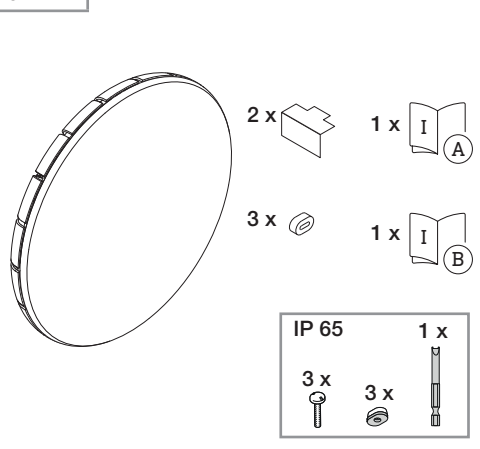


RS PRO LED S10  
RS PRO LED S20  
RS PRO LED S20 IP 65

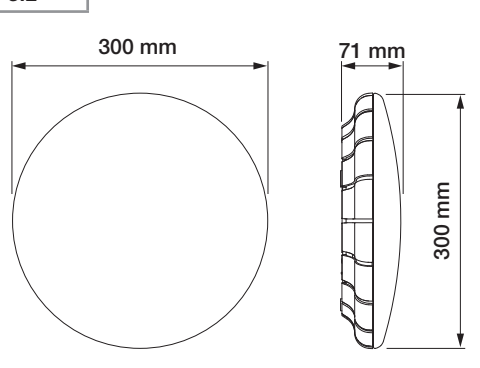


- DE.....7 Textteil beachten!  
GB .....13 Follow written instructions!  
FR.....19 Tenir compte de la partie texte !  
NL.....25 Neem de tekst in acht!  
IT.....31 Seguire attentamente le istruzioni!  
ES.....37 ¡Téngase en cuenta el texto!  
PT.....43 Siga as instruções escritas!  
SE.....49 Iaktta texten!  
DK.....55 Følg den skriftlige vejledning!  
FI.....61 Huomioi tekstiosa!  
NO .....67 Se de skriftlige instruksene!  
GR .....72 Τηρείτε γραπτές οδηγίες!  
TR.....79 Metin kısmını dikkate alin!  
HU .....85 Szöveges részre figyelni!  
CZ.....91 Dodržujte informace v textové části!  
SK.....97 Dodržiavajte informácie v textovej časti!  
PL ....103 Postępować zgodnie z instrukcją!  
RO ...109 Respectați instrucțiunile scrise!  
SI .....115 Upoštevajte del besedila!  
HR ...121 Pridržavajte se pisanih uputa!  
EE ....127 Järgige tekstiosa!  
LT ....133 Laikykites rašytinių instrukcijų!  
LV ....139 Pievēršiet uzmanību teksta daļai!  
RU ...145 Обратите внимание на текстовую часть!  
BG ...151 Прочетете инструкциите!  
CN ...157 遵守文字说明要求!

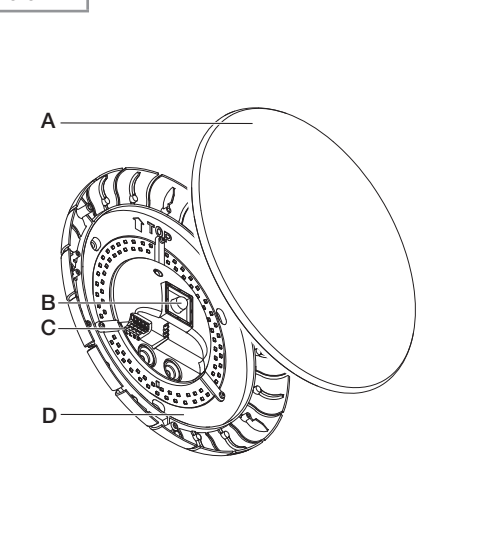
### 3.1



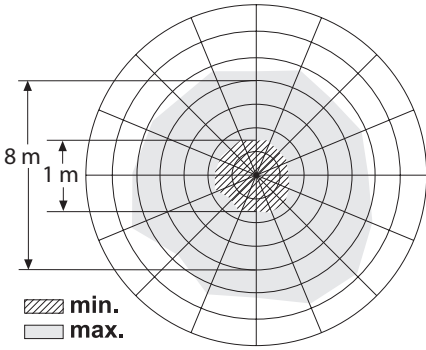
### 3.2



### 3.3

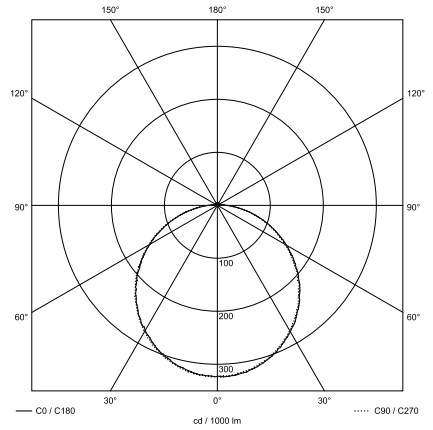


3.4

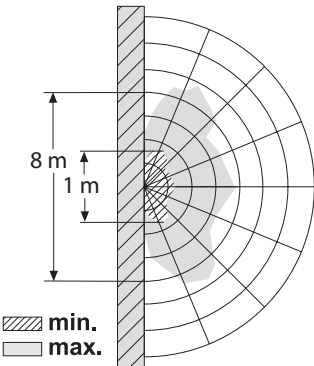


3.7

S20 PC NW/WW

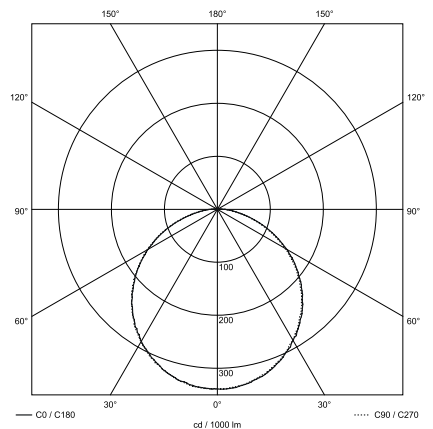


3.5



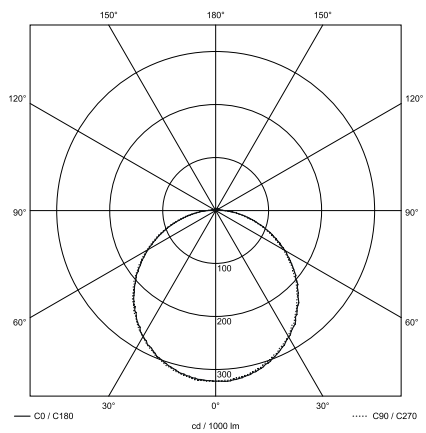
3.8

S20 PC NW/WW IP 65

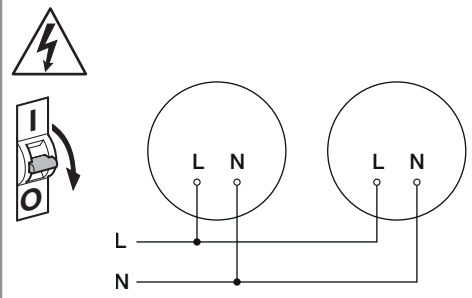


3.6

S10 PC NW/WW



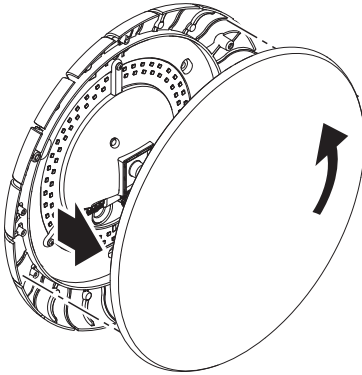
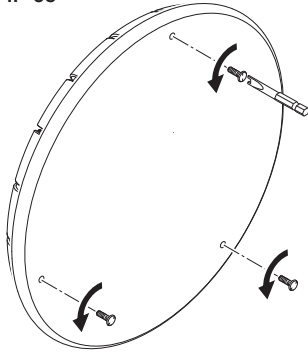
4.1



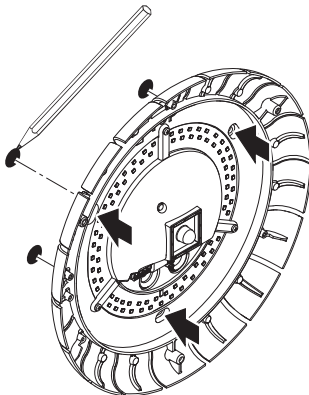
5.1



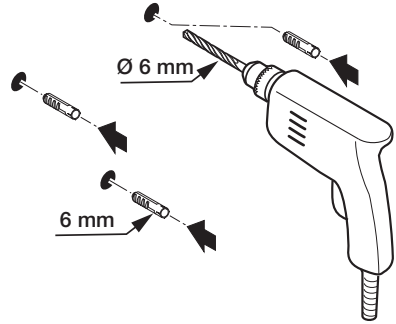
IP 65



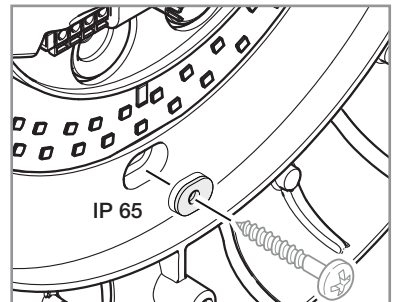
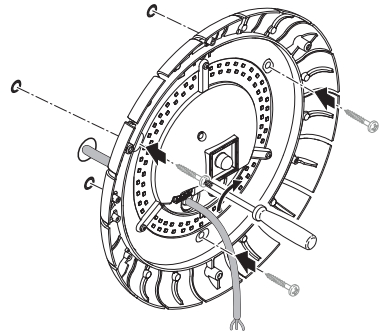
5.2



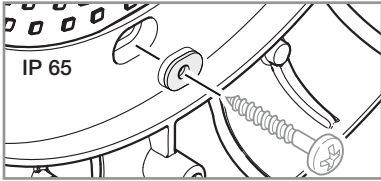
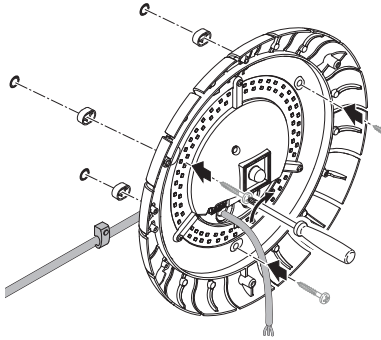
5.3



5.4



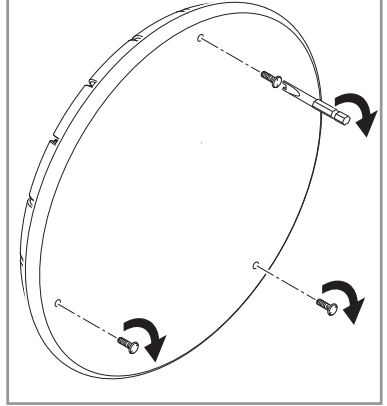
5.5



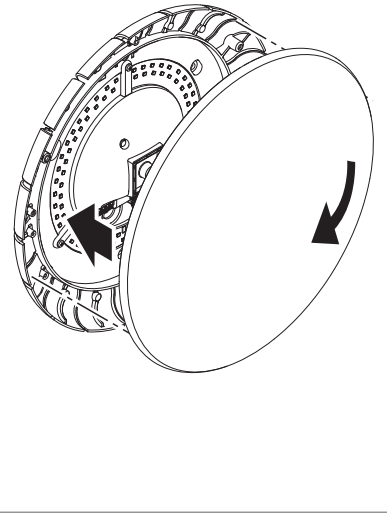
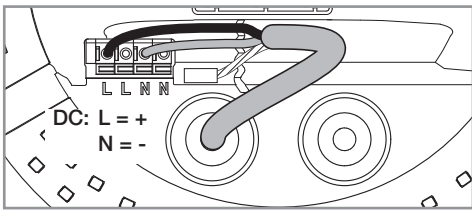
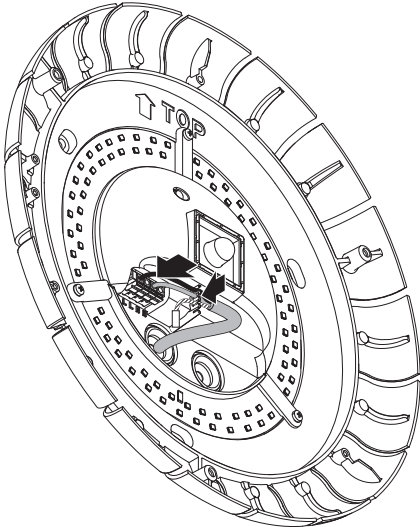
5.7



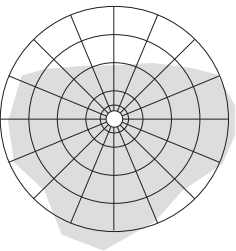
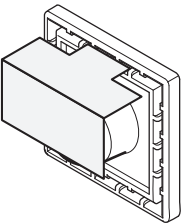
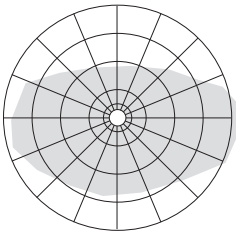
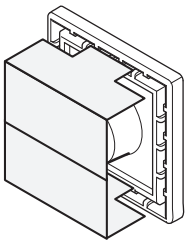
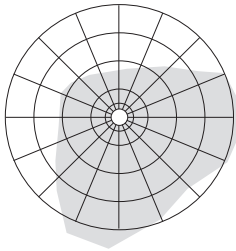
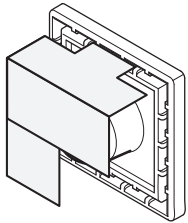
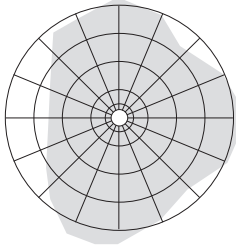
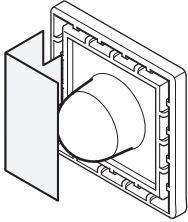
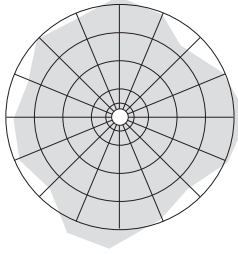
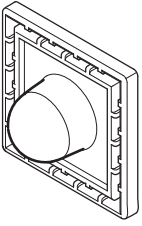
IP 65



5.6



6.1



## 1. About this document

### Please read carefully and keep in a safe place.

- Under copyright. Reproduction either in whole or in part only with our consent.
- Subject to change in the interest of technical progress.

### Symbols



**Hazard warning!**



**Reference to other information in the document.**

## 2. General safety precautions



**Disconnect the power supply before attempting any work on the unit.**

- During installation, the electric power cable being connected may not be live. Therefore, switch off the power first and use a voltage tester to make sure the wiring is off-circuit.
- Installing the sensor-switched light involves work on the mains supply voltage. This work must therefore be carried out professionally in accordance with national wiring regulations and electrical operating conditions. (e.g.: **DE:** VDE 0100, **AT:** ÖVE / ÖNORM E8001-1, **CH:** SEV 1000)
- Only use genuine replacement parts.
- Repairs may only be made by specialist workshops.

## 3. RS PRO LED S10/S20/S20 IP65

### Proper use

- Sensor-switched indoor light with active motion detector for installing indoors.

### Note:

When installing, please always allow a distance of at least 3 m to Wi-Fi routers or access points.

The integrated HF sensor emits high-frequency electromagnetic waves (5.8 GHz) and receives their echo. The change in echo caused by the slightest movement within the detection zone of the light is detected by the sensor.

A microprocessor then issues the switch command "switch light ON". Detection is possible through doors, panes of glass or thin walls.

### Note:

The high-frequency output of the HF sensor is approx. 1 mW – that's 1000 times less than the transmission power of a mobile phone or the output of a microwave.

### Package contents (Fig. 3.1)

Sensor-switched light  
3 spacers  
2 slot-in shrouds  
1 quick-start guide  
1 safety data sheet  
Only for IP65:  
3 IP65 retaining screws  
3 IP65 sealing plugs  
1 special tool

### Product dimensions (Fig. 3.2)

### Product components (Fig. 3.3)

**A** Shade  
**B** Sensor  
**C** Connecting terminal  
**D** Electronics enclosure

Detection zones for ceiling mounting at a height of 2.5 m: 1 - 8 m (Fig. 3.4)

Detection zones for wall mounting 2.5 m (Fig. 3.5)

Luminous intensity distribution (Fig. 3.6 - 3.8)

## 4. Electrical connection

- Switch OFF power supply (Fig. 4.1)

Connecting the mains power supply lead (Fig. 4.1)  
The mains power supply lead is a 3-core cable:

**L** = phase conductor (usually black, brown or grey)  
**N** = neutral conductor (usually blue)  
**PE**= protective-earth conductor (green/yellow)

If you are in any doubt, identify the conductors using a voltage tester; then disconnect from the power supply again. Connect the phase conductor (**L**) and neutral conductor (**N**) to the terminal block.



**Hazard from incorrectly laying electric cables!**

- The cables with basic insulation must not come into contact with the metal enclosure, the LED circuit boards or their connecting wires.
- Use sealing plugs.
- Insulation on incoming NYM cable (left-hand input) must be pushed on to the light by at least 10 mm.
- Insulation on incoming NYM cable (optional, right-hand input) must be pushed on to the light by at least 90 mm.

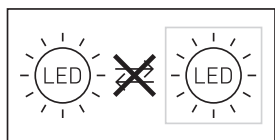
- Fix live wires in place by means of comb-type holder.

For DC operation, connect to terminal L "+" and to terminal N "-".

### Important:

Incorrectly wired connections will produce a short circuit later on in the product or your fuse box. In this case, you must identify the individual conductors once again and reconnect them. A mains power switch for turning the unit ON and OFF may of course be installed in the mains supply lead.

**Important:** the light source in this light cannot be replaced. If the light source needs to be replaced (e.g. at the end of its service life), the complete light must be replaced.



## 5. Installation

- Check all components for damage.
- Do not use the product if it is damaged.
- Select an appropriate site to install the product
  - Taking reach into consideration.
  - Taking reach and motion detection into consideration.
  - Vibration-free.
  - No obstacles in detection zone.
  - Not in explosive atmospheres.
  - Not on normally flammable surfaces.

### Mounting procedure

- Switch OFF power supply. (Fig. 4.1)
- Remove shade. (Fig. 5.1)
  - For IP65: unscrew cover.
- Mark drill holes. (Fig. 5.2)
- Drill holes and fit ground plugs. (Fig. 5.3)
- Installation with concealed power supply lead without spacers. (Fig. 5.4)
  - Screw-mount electronics enclosure.
  - Recommended size for fixing screws 4.5 x 50 7505B ZN.
  - For IP65: fit IP65 sealing plug
- Installation with surface-mounted power supply lead, with spacers. (Fig. 5.5)
  - Screw-mount electronics enclosure.
  - Recommended size for fixing screws 4.5 x 50 7505B ZN.
  - For IP65: fit IP65 sealing plug

- Connect conductors. (Fig. 5.6)
  - Observe warning notes.
  - Fix wires in place by means of comb-type holder.
- Fit shade. (Fig. 5.7)
  - For IP65: screw on mount cover.
  - Screw tightening torque: 2 Nm.
- Switch ON power supply. (Fig. 5.7)

## 6. Function

### Factory settings (state on leaving the factory)

Reach setting:	Max.
Main light time setting:	10 seconds
Basic light time setting:	1 minute
Twilight level:	2,000 lux
Basic light dimming level:	50%

The sensor function is activated in the factory setting so that the light is directly ready for operation. To put the product into reference mode, go to the technical documentation at [www.steinel.de](http://www.steinel.de).

### Steinel Connect app

To configure the light via smartphone or tablet, you must download the STEINEL Connect app from your app store. You will need a Bluetooth-capable smartphone or tablet.

### QR codes

Android



iOS



### Functions that can be set via Steinel Connect app are:

- Time setting
- Reach adjustment
- Twilight setting
- Basic light level
- Main light level
- Grouping
- Fade time
- Neighbouring-light function



### DC operation

Light output is set to 100% when operating on DC power.

### Start-up/power interruption

The light's settings and current operating status are saved automatically in the event of power failure or disconnection from the power supply. Settings are reactivated as soon as the mains power supply is restored.

### Time setting

The main light's ON time can be set to any period from approx. 5 seconds to a maximum of 60 minutes. Any movement detected before this time elapses will restart the timer.

### Note:

After the light switches OFF, it takes approx. 1 second before it is able to start detecting movement again. The light will only switch ON in response to movement once this period has elapsed. The shortest time setting is recommended when adjusting the detection zone and performing the functional test.

### Reach adjustment

Reach is the term used to describe the diameter of the more or less circular detection zone produced on the ground after mounting the sensor-switched light at a height of 2.5 m. The reach setting can be infinitely varied between 1 m and 8 m.

Reach can be reduced in four directions by fitting the slot-in shrouds included. **(Fig. 6.1)**

### Twilight setting

The light's chosen response threshold can be infinitely varied from approx. 2 to 2,000 lux.

### Basic light level

The brightness of the basic light level setting can be varied between 7% and 100%. Basic light can be set in relation to time or ambient light level.

### Main light level

The brightness of the main light level setting can be varied between 7% and 100%.

### Grouping

The RS PRO LED S10/S20/S20 IP65 can be operated as a separate light or several lights can be interconnected in groups via wireless communication.

All lights belonging to a group operate in line with the group parameters set in the Steinel Connect app. Reach can be set individually for all lights in the lighting group.

### Fade time

Fade Time can be used to set the rate of dimming on switching the light ON and OFF (1 s - 3 s).

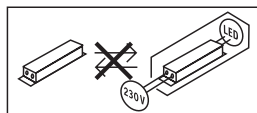
### Neighbouring-light function

The neighbouring-light function can be activated and deactivated via the Steinel Connect app. This function assigns the neighbouring groups to the active lighting group. The active group responds to activation signals from the neighbouring group assigned to it and switches to main light or basic light as defined in the settings.

## 7. Maintenance and care

This product requires no maintenance. The light enclosure can be cleaned with a damp cloth (without detergents) if dirty.

**Important note:** the control gear cannot be replaced.



## 8. Disposal

Electrical and electronic equipment, accessories and packaging must be recycled in an environmentally compatible manner.



Do not dispose of electrical and electronic equipment as domestic waste.

### For EU countries only:

under the current European Directive on Waste Electrical and Electronic Equipment and its transposition in national law, electrical and electronic equipment no longer suitable for use must be collected separately and recycled in an environmentally compatible manner.

## 9. Declaration of Conformity

Hereby, STEINEL Vertrieb GmbH declares that the radio equipment type RS PRO LED S10 / S20 / S20 IP65 is in compliance with Directive 2014/53/EU. The full text of the EU declaration of conformity is available at the following internet address: [www.steinell.de](http://www.steinell.de)

## 10. Manufacturer's warranty

As purchaser, you are entitled to your statutory rights against the vendor. If these rights exist in your country, they are neither curtailed nor restricted by our Warranty Declaration. We guarantee that your STEINEL Professional sensor product will remain in perfect condition and proper working order for a period of 5 years. We guarantee that this product is free from material-, manufacturing- and design flaws. In addition, we guarantee that all electronic components and cables function in the proper manner and that all materials used and their surfaces are without defects.

### Making Claims

If you wish to make a claim, please send your product complete and carriage paid with the original receipt of purchase, which must show the date of purchase and product designation, either to your retailer or contact us at **STEINEL (UK) Limited, 25 Manasty Road, Axis Park, Orton Southgate, Peterborough, PE2 6UP**, for a returns number.

For this reason, we recommend that you keep your receipt of purchase in a safe place until the warranty period expires. STEINEL shall assume no liability for the costs or risks involved in returning a product.


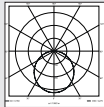

For information on making claims under the terms of the warranty, please go to

**[www.steinell-professional.de/garantie](http://www.steinell-professional.de/garantie)**

If you have a warranty claim or would like to ask any question regarding your product, you are welcome to call us at any time on our Service Hotline **01733 366700**.

**5** YEAR  
MANUFACTURER'S  
WARRANTY

## 11. Technical specifications

Dimensions (Ø × D)	Ø 300 × 71 mm		
Supply voltage	AC: 220-240 V, 50/60 Hz	DC: 186-250 V	
Power consumption (P <sub>on</sub> )	RS PRO LED S10 PC	9.10 W	
	RS PRO LED S20 PC	15.70 W	
	RS PRO LED S20 IP 65	15.70 W	
Luminous flux (360°)	RS PRO LED S10	NW: 919 lm /	WW: 858 lm
	RS PRO LED S10 MP	NW: 919 lm /	WW: 858 lm
	RS PRO LED S20 PC	NW: 1,537 lm /	WW: 1,435 lm
	RS PRO LED S20 PC MP	NW: 1,537 lm /	WW: 1,435 lm
	RS PRO LED S20 IP 65	NW: 1,284 lm /	WW: 1,209 lm
Efficiency	RS PRO LED S10	NW: 101 lm/W /	WW: 94 lm/W
	RS PRO LED S10 MP	NW: 101 lm/W /	WW: 94 lm/W
	RS PRO LED S20 PC	NW: 98 lm/W /	WW: 91 lm/W
	RS PRO LED S20 PC MP	NW: 98 lm/W /	WW: 91 lm/W
	RS PRO LED S20 IP 65	NW: 82 lm/W /	WW: 77 lm/W
Standby sensor (P <sub>sb</sub> )	RS PRO LED S10	0.38 W	
	RS PRO LED S20 PC	0.39 W	
	RS PRO LED S20 IP 65	0.39 W	
Standby network (P <sub>net</sub> )	RS PRO LED S10	0.33 W	
	RS PRO LED S20 PC	0.33 W	
	RS PRO LED S20 IP 65	0.33 W	
Power factor	RS PRO LED S10	0.90	
	RS PRO LED S20 PC	0.90	
	RS PRO LED S20 PC IP 65	0.90	
Colour temperature	3,000 K (warm white)		
	4,000 K (neutral white - NW)		
Colour rendering index	R <sub>a</sub> = 82		
Average rated life expectancy	L70B50 at 25°C: >60,000 hours.		
Colour consistency SDCM	Starting value: 3		
Luminous intensity distribution	<i>S10 PC NW/WW</i>	<i>S20 PC NW/WW</i>	<i>S20 PC NW/WW IP65</i>
			
HF technology	5.8 GHz (responds to the slightest movement regardless of temperature) / < 1 mW		
Angle of coverage	360° with 160° angle of aperture		
Reach	Ø 1 - 8 m, infinitely variable		
Max. area covered	Approx. 50 m <sup>2</sup>		
Time setting	5 s - 60 min		
Twilight setting	2-2,000 lux		
Basic light level	Adjustable from 7-100%		
Main light level	Adjustable from 7-100%		
IP rating	S10: IP20		
	S20: IP20		
	S20: IP65: IP65		

IK rating	PC: IK07 IP65: IK10
Protection class	II
Ambient temperature	-10 to +40°C
Bluetooth frequency	2.4-2.48 GHz
Bluetooth transmitter power	5 dBm/3 mW
Energy efficiency class	This product contains an energy efficiency class "D" light source

## 12. Troubleshooting

Malfunction	Cause	Remedy
Sensor-switched light without power	<ul style="list-style-type: none"> <li>■ Fuse has tripped, not switched ON, break in wiring</li> <li>■ Short circuit in mains power supply lead</li> <li>■ Any mains switch OFF</li> </ul>	<ul style="list-style-type: none"> <li>■ Activate, change fuse, turn ON power switch, check wiring with voltage tester</li> <li>■ Check connections</li> <li>■ Switch ON mains switch</li> </ul>
Sensor-switched light will not switch ON	<ul style="list-style-type: none"> <li>■ Incorrect twilight setting selected</li> <li>■ Mains switch OFF</li> <li>■ Fuse has tripped</li> </ul>	<ul style="list-style-type: none"> <li>■ Readjust</li> <li>■ Switch ON</li> <li>■ Activate, change fuse, check connection if necessary</li> </ul>
Sensor-switched light will not switch OFF	<ul style="list-style-type: none"> <li>■ Continued movement within the detection zone</li> </ul>	<ul style="list-style-type: none"> <li>■ Check detection zone</li> </ul>
Sensor-switched light switches ON without any identifiable movement	<ul style="list-style-type: none"> <li>■ Light not mounted for detecting movement reliably</li> <li>■ Movement occurred, but not identified by the observer (movement behind wall, movement of a small object in immediate lamp vicinity etc.)</li> </ul>	<ul style="list-style-type: none"> <li>■ Securely mount enclosure</li> <li>■ Check detection zone</li> </ul>
Sensor-switched light does not switch ON despite movement	<ul style="list-style-type: none"> <li>■ Rapid movements are suppressed to Minimise malfunctioning or detection zone set too small</li> <li>■ Incorrect twilight setting selected</li> </ul>	<ul style="list-style-type: none"> <li>■ Check detection zone</li> <li>■ Readjust</li> </ul>

## 1. Om detta dokument

### Läs noga igenom dokumentet och förvara det väl!

- Upphovsrättsligt skyddat. Eftertryck, även delar av texten, bara med vårt samtycke.
- Ändringar som görs p.g.a. den tekniska utvecklingen, förbehålles.

### Symbolförklaring



Varning för fara!



Hänvisning till textställen i dokumentet.

## 2. Allmänna säkerhetsanvisningar



**Bryt spänningen före alla arbeten på produkten!**

- Inkoppling måste utföras i spänningsfritt tillstånd. Bryt strömmen och kontrollera med spänningsprovare att alla parter är spänningslösa.
- Eftersom sensorarmaturen installeras till nätspänningen måste arbetet utföras på ett fackmannamässigt sätt enligt gällande installationsföreskrifter och anslutningskrav i respektive land. (t.ex.: **DE:** VDE 0100, **AT:** ÖVE / ÖNORM E8001-1, **CH:** SEV 1000)
- Använd endast originalreservdelar.
- Reparationer får bara genomföras i en auktoriserad verkstad.

## 3. RS PRO LED S10 / S20 / S20 IP65

### Ändamålsenlig användning

- Sensorarmatur med aktiv rörelsevakt för montering inomhus.

### Anmärkning:

Se till att det finns ett avstånd på minst 3 m till WLAN routern eller accesspunkterna vid installationen.

Den integrerade HF-sensorn sänder högfrekventa elektromagnetiska vågor (5,8 GHz) och mottar deras eko. Vid minsta rörelse i lampans bevakningsområde registreras ekoförändringen av sensorn. En mikroprocessor utlöser sedan kommandot "Tänd ljuset". Detekteringen fungerar också genom dörrar, glas eller tunna väggar.

### Anmärkning:

HF-sensorns högfrekvenseffekt är ca 1 mW – det är bara en tusendel av sändareffekten från en mobiltelefon eller en mikrovågsugn.

### Innehåll (bild 3.1)

Sensorarmatur  
3 distanshållare  
2 täckplattor  
1 quick-start  
1 säkerhetsdatablad  
bara vid IP65:  
3 IP65 låsskruvar  
3 IP65 tätningsslugg  
1 specialverktyg

### Produktmått (bild 3.2)

### Översikt över enheter (bild 3.3)

- A** Kupa
- B** Sensor
- C** Anslutningsplint
- D** Montagedel

Bevakningsområde takmontage på 2,5 m höjd  
1-8 m (bild 3.4)

Bevakningsområden väggmontage 2,5 m (bild 3.5)

Ljusintensitetsfördelning (bild 3.6 - 3.8)

## 4. Elektrisk anslutning

- Bryt spänningen (bild 4.1)

Kontakt nätanledning (bild 4.1)

Nätledningen består av en 3-ledarkabel:

- L** = Fas (oftast svart, brun eller grå)
- N** = Nollledare (oftast blå)
- PE** = Skyddsledare (grön/gul)

Vid osäkerhet, måste kabeln identifieras med en spänningsprovare; gör den därefter spänningsfri igen. Fas (**L**) och nolledare (**N**) monteras i anvisad plint.



**Fara p.g.a. felaktigt dragna elektriska ledningar!**

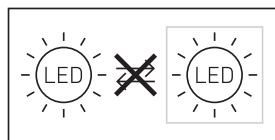
- De basisolerade ledningarna får inte komma i kontakt med metallkåpan, LED-kretskorten eller dess anslutningsledningar.
- Använd packning.
- Den ingående NYM-kabelns isolering (vänster ingång) måste skjutas in minst 10 mm i armaturen.
- Vid överkoppling: Den ingående NYM kabelns isolering (valfritt, höger ingång) måste skjutas in minst 90 mm.
- Fixera spänningsförande kablar över kam.

För DC-driften sker anslutningen till klämma L "+" och klämma N "-".

### Viktigt:

En förväxling av anslutningarna leder till kortslutning i armaturen eller i säkringsskåpet. I ett sådant fall måste de enskilda kablarna identifieras igen och anslutas på nytt. På nätkabeln kan naturligtvis en strömställare för till- och frånkoppling installeras.

**Viktigt:** Ljuskällan till denna armatur kan inte bytas ut. Om ljuskällan ändå måste bytas ut (t.ex. när den är uttjänt), så måste hela armaturen bytas ut.



## 5. Montage

- Kontrollera samtliga delar med avseende på skador.
- Är produkten skadad får den inte tas i bruk.
- Välj en lämplig monteringsplats
  - med hänsyn till räckvidden
  - med hänsyn till rörelsedetekteringen.
  - Vibrationsfritt.
  - Bevakningsområde utan hinder.
  - Inte i explosionsfarliga miljöer.
  - Inte på lättantändliga underlag.

### Montageordning

- Stäng av strömförsörjningen. **(bild 4.1)**
- Ta av kupan. **(bild 5.1)**
  - Vid IP65: Skruva av skyddet.
- Markera borrhålen. **(bild 5.2)**
- Borra hål och sätt i pluggar. **(bild 5.3)**
- Kabel infällt montage utan distanshållare. **(bild 5.4)**
  - Skruva fast montagedelen.
  - Fästskruvarnas rekommenderade storlek 4,5 x 50 7505B ZN.
  - Vid IP65: sätt i IP65 tätningsplugg.
- Montage utanpåliggande kabel med distanshållare. **(bild 5.5)**
  - Skruva fast montagedelen.
  - Fästskruvarnas rekommenderade storlek 4,5 x 50 7505B ZN.
  - Vid IP65: sätt i IP65 tätningsplugg.
- Anslut nätkabeln. **(bild 5.6)**
  - Observera varningsinformation.
  - Fixera kablarna över kam.

- Sätt på kupan **(bild 5.7)**
  - Vid IP65: Skruva på skyddet.
  - Skruvarnas åtdragningsmoment: 2 Nm.
- Slå till spänningen. **(bild 5.7)**

## 6. Funktion

### Fabriksinställningar (leveranstillstånd)

Inställning av räckvidden:	max.
Efterlystid normalljus:	10 sek.
Efterlystid grundljus:	1 min.
Skymningsinställning:	2 000 lux
Grundljus dimnivå:	50%

Sensorfunktionen är aktiverad i fabriksinställningen så att armaturen är driftsberedd direkt. Öppna den tekniska dokumentationen på: [www.steinel.de](http://www.steinel.de) för att ställa in produkten på referensläge.

### Steinel Connect app

För att konfigurera armaturen med smarttelefon eller surfplatta måste STEINEL Connect App laddas ner från AppStore. Det krävs en Bluetooth-förberedd smarttelefon eller surfplatta.

### QR-Codes

Android



iOS



### Funktioner inställbara via Steinel Connect appen:

- Efterlystid
- Inställning av räckvidden
- Skymningsinställning
- Grundljus
- Normalljus
- Gruppering
- Fade Time
- Grannfunktion

### DC-drift

Under driften med likspänning sätts ljuseffekten på 100%.

### Start-Up / spänningsavbrott

När nätspänningen bryts sparas inställningarna och armaturens aktuella drifttillstånd. När nätspänningen återkommer återställs dessa.

## Efterlystid

Önskad efterlystid av normalljuset kan ställas in steglöst från ca 5 sekunder till max. 60 minuter. Vid varje registrerad rörelse som sker innan denna tid löpt ut, startar tiduret på nytt.

## Anmärkning:

Efter varje gång som lampan har släckts avbryts rörelsebevakningen i ca 1 sekund innan en ny rörelse åter kan tända armaturen.

För inställningen av bevakningsområdet och för funktionstestet, rekommenderas den kortaste tiden.

## Inställning av räckvidden

Med räckvidd menas det cirkelformade område på golvet som utgör bevakningsområdet vid en montering på 2,5 m höjd.

Räckvidden kan steglöst ställas in mellan 1 och 8 m.

Genom montering av bifogade täckplattor kan räckvidden reduceras i 4 riktningar. (bild 6.1)

## Skymningsinställning

Armaturens aktiveringsnivå kan steglöst ställas in från ca 2 till 2 000 lux.

## Grundljus

Grundljusets ljusnivå kan ställas in mellan 7 % och 100 %.

Grundljuset kan ställas in tids- eller ljusbaserat.

## Normalljus

Normalljusets ljusnivå kan ställas in mellan 7 % och 100 %.

## Gruppering

RS PRO LED S10 / S20 / S20 IP65 kan användas som enskild armatur eller flera armaturer kan sammankopplas i grupper via radiostyrd kommunikation.

Alla armaturer som är tilldelade en grupp, agerar enligt de i Steinel Connect appen inställda grupparametrarna. Räckvidden kan individuellt ställas in för varje gruppdeltagare.

## Fade Time

Med Fade Time kan dimkurvan ställas in när armaturen tänds och släcks (1sek. - 3sek.).

## Grannfunktion

Via Steinel Connect App kan grannfunktionen aktiveras resp. avaktiveras.

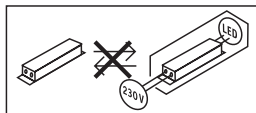
Härvid tilldelas granngrupperna aktiv armaturgrupp. Gruppen reagerar på inkopplingssignaler från tilldelad granngrupp och antingen tänds då normalljuset eller grundljuset, beroende på inställning.

## 7. Underhåll och skötsel

Produkten är underhållsfri.

Armaturens kupa kan rengöras med en fuktig trasa (utan rengöringsmedel) när den är smutsig.

**Viktigt:** Driftsenheten kan inte bytas ut.



## 8. Avfallshantering

Elapparater, tillbehör och förpackning måste lämnas in till miljövänlig återvinning.



**Kasta inte elapparater i hushållssoporna!**

### Gäller endast EU-länder:

Enligt det gällande europeiska direktivet om uttjänta elektriska och elektroniska apparater och dess omsättning i nationell lagstiftning, måste uttjänta elapparater samlas separat och lämnas in till miljövänlig återvinning.

## 9. Försäkran om överensstämmelse

Härmed försäkras STEINEL Vertrieb GmbH att denna typ av radioutrustning RS PRO LED S10 / S20 / S20 IP65 överensstämmer med direktiv 2014/53/EU. Den fullständiga texten till EU-försäkran om överensstämmelse finns på följande webbadress: [www.steinell.de](http://www.steinell.de)

## 10. Tillverkargaranti

Som köpare har du rätt till gällande garantirättigheter enligt konsumentlagen alt. ALEM 09. Dessa rättigheter varken förkortas eller begränsas genom vår garantiförklaring. Utöver den rättsliga garanti-fristen, ger vi 5 års garanti på att din STEINEL-Professionel-Sensor-produkt är i oklanderligt skick och fungerar korrekt. Vi garanterar, att denna produkt är helt utan material-, produktions- eller konstruktionsfel. Vi garanterar, att alla elektroniska element och kablar är fullt funktionsdugliga samt att allt använt råmaterial jämte dess ytor, är helt utan brister.

### Reklamation

Om du vill reklamera din produkt, så kontaktar du inköpsstället dvs din återförsäljare. Om återförsäljaren av olika anledningar ej kan kontaktas kan du vända dig direkt till Steinels generalagent i Sverige;

**Karl H Ström AB, Verktygsvägen 4, 553 02**

**Jönköping, 036 - 550 33 00.** Vi rekommenderar att du sparar kvittot väl tills garantitiden har gått ut. För transportkostnader och -risker vid retursändningar lämnar STEINEL ingen garanti.

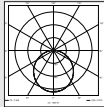
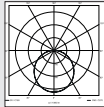

Ytterligare uppgifter om produkter samt kontakt hittar du på vår hemsida. **[www.khs.se](http://www.khs.se)**

Om du har frågor beträffande produkten eller frågor om garantins omfattning, kan du alltid nå oss på **036 - 550 33 00.**

**5 Å R S**  
TILLVERKAR  
GARANTI



## 11. Tekniska data

Mått (Ø x D)	Ø 300 x 71 mm		
Spänning	AC: 220-240 V, 50/60 Hz DC: 186-250 V		
Systemeffekt ( $P_{on}$ )	RS PRO LED S10 PC	9,10 W	
	RS PRO LED S20 PC	15,70 W	
	RS PRO LED S20 IP 65	15,70 W	
Ljusflöde (360°)	RS PRO LED S10	NW: 919 lm /	WW: 858 lm
	RS PRO LED S10 MP	NW: 919 lm /	WW: 858 lm
	RS PRO LED S20 PC	NW: 1 537 lm /	WW: 1 435 lm
	RS PRO LED S20 PC MP	NW: 1 537 lm /	WW: 1 435 lm
	RS PRO LED S20 IP 65	NW: 1 284 lm /	WW: 1 209 lm
Ljusutbyte	RS PRO LED S10	NW: 101 lm/W /	WW: 94 lm/W
	RS PRO LED S10 MP	NW: 101 lm/W /	WW: 94 lm/W
	RS PRO LED S20 PC	NW: 98 lm/W /	WW: 91 lm/W
	RS PRO LED S20 PC MP	NW: 98 lm/W /	WW: 91 lm/W
	RS PRO LED S20 IP 65	NW: 82 lm/W /	WW: 77 lm/W
Standby Sensor ( $P_{sb}$ )	RS PRO LED S10	0,38 W	
	RS PRO LED S20 PC	0,39 W	
	RS PRO LED S20 IP 65	0,39 W	
Standby nätverk ( $P_{net}$ )	RS PRO LED S10	0,33 W	
	RS PRO LED S20 PC	0,33 W	
	RS PRO LED S20 IP 65	0,33 W	
Effektfaktor	RS PRO LED S10	0,90	
	RS PRO LED S20 PC	0,90	
	RS PRO LED S20 PC IP 65	0,90	
Färgtemperatur	3 000 K (varmvit - WW)		
	4 000 K (neutralvit - NW)		
Färgåtergivningsindex	$R_a = 82$		
Medellång livslängd för beräkningen	L70B50 vid 25°C: > 60 000 tim.		
Färgkonsistens SDCM	Startvärde: 3		
Ljusintensitetsfördelning	<i>S10 PC NW/WW</i>	<i>S20 PC NW/WW</i>	<i>S20 PC NW/WW IP65</i>
			
HF-teknik	5,8 GHz (reagerar på minsta rörelse, oberoende av temperaturen) / < 1 mW		
Bevakningsvinkel	360° med 160° öppningsvinkel		
Räckvidd	Ø 1-8 m, steglöst inställbar		
Max. bevakningsområde	ca 50 m <sup>2</sup>		
Efterlystid	5 sek. - 60 min.		
Skymningsinställning	2-2 000 lux		
Grundljus	inställbart från 7-100 %		
Normalljus	inställbart från 7-100 %		
Skyddsklass	S10:	IP 20	
	S20:	IP 20	
	S20:	IP 65: IP 65	

SE

Slagtålighet	PC: IK07 IP 65: IK10
Isolationsklass	II
Omgivningstemperatur	-10 till +40 °C
Frekvens Bluetooth	2,4-2,48 GHz
Sändeffekt Bluetooth	5 dBm/3 mW
Energieffektklass:	Denna produkt har en ljuskälla i energieffektklass "D"

## 12. Driftstörningar

Störning	Orsak	Åtgärd
Sensordarmen utan spänning	<ul style="list-style-type: none"> <li>■ säkring har utlöst, inte påkopplad, strömförsörjning avbruten</li> <li>■ kortslutning i nätkabeln</li> <li>■ eventuellt befintlig nätströmbrytare FRÅN</li> </ul>	<ul style="list-style-type: none"> <li>■ slå till säkringen, byt ut, slå till spänningen, testa med spänningsprovare</li> <li>■ kontrollera anslutningarna</li> <li>■ slå till nätströmbrytaren</li> </ul>
Sensordarmen tänds inte	<ul style="list-style-type: none"> <li>■ felaktig skymningsinställning</li> <li>■ nätströmbrytare FRÅN</li> <li>■ säkring har utlöst</li> </ul>	<ul style="list-style-type: none"> <li>■ Ställ in på nytt</li> <li>■ slå till</li> <li>■ slå till säkringen, byt ut, kontrollera evtl. anslutningen</li> </ul>
Sensordarmen släcks inte	<ul style="list-style-type: none"> <li>■ ständig rörelse i bevakningsområdet</li> </ul>	<ul style="list-style-type: none"> <li>■ kontrollera området</li> </ul>
Sensordarmen tänds utan förnimbar rörelse	<ul style="list-style-type: none"> <li>■ armaturen inte korrekt monterad</li> <li>■ dold detektering (rörelse bakom en vägg, rörelse av ett litet objekt i lampans omedelbara närhet osv.)</li> </ul>	<ul style="list-style-type: none"> <li>■ fixera lampkupan</li> <li>■ kontrollera området</li> </ul>
Sensordarmen tänds inte trots rörelse	<ul style="list-style-type: none"> <li>■ snabba rörelser undertrycks för att minimera feltändningar eller bevakningsområdet är för litet inställt</li> <li>■ felaktig skymningsinställning</li> </ul>	<ul style="list-style-type: none"> <li>■ kontrollera området</li> <li>■ Ställ in på nytt</li> </ul>

## 1. Om dette dokumentet

### Les dokumentet nøye og ta vare på det!

- Med opphavsrett. Ettertrykk, også i utdrag, kun med vår tillatelse.
- Det tas forbehold om endringer som tjener tekniske fremskritt.

### Symbolforklaring



Advarsel om fare!



Henvisning til tekststeder i dokumentet.

## 2. Generelle sikkerhetsinstrukser



**Koble fra strømtilførselen før du foretar arbeider på apparatet!**

- Ved montering må strømledningen som skal tilkobles, være uten spenning. Slå derfor først av strømmen og bruk en spenningstester til å kontrollere at strømtilførselen er stanset.
- Under installasjonen av sensorlampen kommer man i berøring med strømmettet. Arbeidet skal derfor utføres av fagfolk i henhold til de lokale elektroinstallasjonsforskrifter og tilkoblingskrav (f.eks.: **DE**: VDE 0100, **AT**: ÖVE / ÖNORM E8001-1, **CH**: SEV 1000)
- Bruk kun originale reservedeler.
- Reparasjoner skal kun utføres på autoriserte verksteder.

## 3. RS PRO LED S10 / S20 / S20 IP65

### Forskriftsmessig bruk

- Innelampe med sensor og aktiv bevegelsesmelder for montering innendørs.

### NB:

Under installasjon må du sørge for å overholde minst 3 m avstand til WiFi-ruter eller basestasjoner.

Den integrerte HF-sensoren sender ut høyfrekvente elektromagnetiske bølger (5,8 GHz) og mottar ekkot fra dem. Sensoren merker ekkoforandringene fra selv de minste bevegelser i lampens dekningsområde. En mikroprosessor utløser da koblingsbefalingen «Tenn lys». Bevegelser kan også registreres gjennom dører, glassflater eller tynne vegger.

### NB:

HF-sensorens høyfrekvensseffekt er ca. 1 mW – det er kun en tusendel av sendeeffekten til en mobiltelefon eller en mikrobolevn.

### Leveringsomfang (ill. 3.1)

Sensorlampe  
3 avstandsstykker  
2 dekkplater  
1 hurtigstart  
1 sikkerhetsdatablad  
kun for IP65:  
3 IP65-sikringsskruer  
3 IP65-tetningsplugger  
1 spesialverktøy

### Produktmål (ill 3.2)

### Apparatoversikt (ill. 3.3)

**A** Deksel  
**B** Sensor  
**C** Koblingsklemme  
**D** Elektronikkhus

Dekningsområder ved takmontering i 2,5 m høyde 1-8 m (ill. 3.4)

Dekningsområder ved veggmontering, 2,5 m (ill. 3.5)

Lysstyrkefordeling (ill. 3.6 - 3.8)

## 4. Elektrisk tilkobling

- Slå av strømtilførselen (ill. 4.1)

Tilkobling av nettledningen (ill. 4.1)

Nettledningen består av en 3-ledet kabel:

**L** = fase (som regel svart, brun eller grå)

**N** = nulleleder (som regel blå)

**PE** = jordleder (grønn/gul)

I tvilstilfeller må kabelen kontrolleres med en spenningstester; deretter slås strømtilførselen av igjen. Fase (**L**) og nulleleder (**N**) kobles til kroneklemmen.



**Fare dersom de elektriske ledningene legges feil!**

- De basisisolerte ledningene må ikke berøre metallhuset, LED-kretskortene eller tilkoblingslederne deres.
- Bruk tetningsplugg.
- Isoleringen på den inngående NYM-ledningen (venstre inngang) må skyves minst 10 mm inn i lampen.

- Ved gjennomgående ledningsføring: Isoleringen til den inngående NYM-ledningen (alternativt høyre inngang) må skyves inn minst 90 mm.
- Fest spenningsførende ledninger over kam.

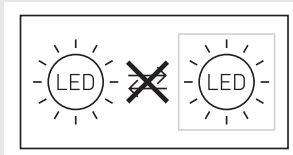
For DC-drift kobles «+» til L-klemmen og «-» til N-klemmen.

### OBS:

Forveksles koblingene, fører dette senere til kortslutning i apparatet eller i sikringsskapet.

I så tilfelle må de enkelte kablene identifiseres og kobles til på nytt. Det kan selvsagt monteres en bryter på nettledningen til å slå AV og PÅ.

**OBS:** Lyskilden i denne lampen kan ikke skiftes ut. Dersom lyskilden skal erstattes (f.eks. mot slutten av levetiden), må hele lampen skiftes ut.



## 5. Montering

- Kontroller alle komponenter for skader.
- Ikke ta produktet i bruk dersom det er skadet.
- Velg et egnet monteringssted
  - og ta hensyn til rekkevidden
  - og ta hensyn til bevegelsesregistreringen.
  - Vibrasjonsfritt.
  - Dekningsområdet er fritt for hindre.
  - Ikke i eksplosive omgivelser.
  - Ikke på lett antenkelige overflater.

### Fremgang ved montering

- Slå av strømtilførselen (**ill. 4.1**)
- Ta av dekselet. (**ill. 5.1**)
  - Ved IP 65: Skru av dekselet.
- Tegn borehull (**ill. 5.2**)
- Bor hull og sett inn pluggen (**ill. 5.3**)
- Montering ved skjult ledningsføring uten avstandsstykker. (**ill. 5.4**)
  - Skru fast elektronikkhus.
  - Anbefalt størrelse på festeskruene 4,5 x 50 7505B ZN.
  - Ved IP65: Sett inn IP65-tetningsplugg.
- Montering ved åpen ledningsføring med avstandsstykker. (**ill. 5.5**)
  - Skru fast elektronikkhus.
  - Anbefalt størrelse på festeskruene 4,5 x 50 7505B ZN.
  - Ved IP65: Sett inn IP65-tetningsplugg.

- Koble til ledningen (**ill. 5.6**)
  - Følg advarslene.
  - Fest ledninger over kam.
- Sett på dekselet. (**ill. 5.7**)
  - Ved IP 65: Skru fast dekselet.
  - Tiltrekkingmoment for skruene: 2 Nm.
- Slå på strømtilførselen (**ill. 5.7**)

## 6. Funksjon

### Fabrikkinnstillinger (tilstand ved levering)

Rekkeviddeinnstilling:	maks.
Tidsinnstilling hovedlys:	10 sek.
Tidsinnstilling grunnlys:	1 min.
Skumringsinnstilling:	2 000 lux
Grunnlys dimmenivå:	50 %

I fabrikkinnstillingen er sensorfunksjonen aktivert, slik at lampen er klar til bruk. Hent teknisk dokumentasjon på [www.steinell.de](http://www.steinell.de) for å sette produktet i referansmodus.

### Steinel Connect-app

For å konfigurere lampen med smarttelefon eller nettbrett må du laste ned STEINEL Connect-appen fra din app-butikk. Du trenger en Bluetooth-kompatibel smarttelefon eller nettbrett.

### QR-koder

Android



iOS



### Funksjoner som kan stilles inn via Steinel Connect-appen:

- Tidsinnstilling
- Rekkeviddeinnstilling
- Skumringsinnstilling
- Grunnlys
- Hovedlys
- Gruppering
- Fade Time
- Funksjon som tenner neste lampe

### DC-drift

I drift med likespenning stilles lyseffekten på 100 %.

## Start-Up / strømbrudd

Innstillingene og lampens aktuelle driftsmodus blir lagret dersom nettspenningen frakobles. De gjenoprettes når nettspenningen opprettes igjen.

## Tidsinnstilling

Ønsket belysningstid for hovedlyset kan stilles trinnløst inn fra ca. 5 sekunder til maks. 60 minutter. Tidsuret starter på nytt hvis den registrerer noen form for bevegelse før denne tiden er utløpt.

## NB:

Etter hver utkoblingsprosess er en ny bevegelsesregistrering avbrutt i ca. 1 sekund. Først når denne tiden er gått, kan lampen tenne lys ved bevegelse igjen. Ved innstilling av registreringsområdet og for funksjonstesten anbefales det å stille inn kortest mulig tid.

## Rekkeviddeinnstilling

Med begrepet rekkevidde menes den omtrent sirkelformede diameteren på bakken som utgjør dekningsområdet når lampen monteres i 2,5 m høyde. Rekkevidden kan stilles trinnløst inn mellom 1 m og 8 m.

Rekkevidden kan reduseres i fire retninger ved at du fester de vedlagte dekkplatene. (ill. 6.1)

## Skumringsinnstilling

Ønsket reaksjonsnivå for lampen kan stilles inn trinnløst fra ca. 2 til 2 000 lux.

## Grunnlys

Lysstyrken for grunnlyset kan stilles trinnløst inn mellom 7 % og 100 %. Grunnlyset kan stilles inn etter tid eller lysstyrke.

## Hovedlys

Lysstyrken for hovedlyset kan stilles inn mellom 7 % og 100 %.

## Gruppering

Du kan bruke RS PRO LED S10 / S20 / S20 IP65 som enkeltlampe eller koble flere lamper sammen i grupper via trådløs kommunikasjon. Alle lamper som er tilordnet en gruppe, agerer iht. gruppeparametrene som er stilt inn i Steinel Connect-appen. Rekkevidden kan stilles inn individuelt for alle gruppedeltakerne.

## Fade Time

Med Fade Time kan du stille inn dimmekurven ved inn- og utkobling (1 s - 3 s).

## Funksjon som tenner neste lampe

Funksjonen som tenner neste lampe («nabo-funksjon») kan aktiveres eller deaktiveres via Steinel Connect-appen.

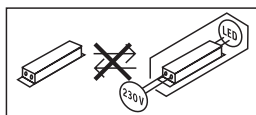
Da tilordnes nabogruppene til den aktive lampegruppen. Gruppen lytter til innkoblingssignaler fra den tilordnede nabogruppen og kobler inn hovedlyset eller grunnlyset, avhengig av innstillingene.

## 7. Vedlikehold og stell

Dette produktet er vedlikeholdsfritt.

Skulle lampehuset bli skittent, kan det rengjøres med en fuktig klut (uten rengjøringsmiddel).

**Viktig:** Funksjonsenheten kan ikke skiftes ut.



## 8. Avfallsbehandling

Elektriske apparater, tilbehør og emballasje må resirkuleres på en miljøvennlig måte.



Ikke kast elektriske apparater i husholdningsavfallet.

**Kun for EU-land:** I henhold til gjeldende europeiske retningslinjer for elektriske apparater og brukte elektriske apparater, og i samsvar med nasjonal lovgivning, skal elektriske apparater som ikke lenger kan benyttes, samles opp atskilt fra annet søppel og gjenvinnes på en miljøvennlig måte.

## 9. Samsvarserklæring

Herved erklærer STEINEL Vertrieb GmbH at det trådløse anlegget av type RS PRO LED S10 / S20 / S20 IP65 oppfyller kravene i direktiv 2014/53/EU. Du finner EU-samsvarserklæringen i sin helhet på følgende internettsadresse: [www.steinell.de](http://www.steinell.de)

## 10. Produsentgaranti

Som kjøper har du eventuelt lovfestede mangel- eller garantirettigheter overfor selger. I den grad disse rettighetene finnes i ditt land, verken innskrenkes eller forkortes de på grunn av vår garantierklæring. Vi gir deg fem års garanti på at ditt sensorprodukt fra STEINEL Professional er uten

mangler og fungerer som det skal. Vi garanterer at dette produktet ikke har material-, produksjons- eller konstruksjonsfeil. Vi garanterer at alle elektroniske deler og kabler fungerer, og at alle materialer og overflater er uten mangler.

### Garantikrav

Dersom du ønsker å reklamere på produktet, må du pakke det godt inn, frankere det og sende hele produktet i retur sammen med original kjøpskvittering som viser kjøpsdato og produktnavn.

Produktet sendes til forhandler eller direkte til oss:

**Vilan AS – Olaf Helsetsvai 5, 0694 Oslo, Norge.**

Vi anbefaler deg derfor å ta godt vare på kjøps-

kvitteringen til garantiperioden er utløpt. STEINEL tar ikke ansvar for transportkostnader eller risiko i sammenheng med retursendingen.

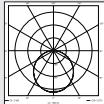


Informasjon om hvordan du gjør garantikrav gjeldende finner du på hjemmesiden vår,

**www.vilan.no**

Ta gjerne kontakt med oss om du har garantikrav eller spørsmål angående produktet ditt. Du når oss på **+47 22 72 50 00**.

**5 Å R S**  
**PRODUSENT**  
**GARANTI**

## 11. Tekniske spesifikasjoner

Mål (Ø × D)	Ø 300 × 71 mm		
Spenning	AC: 220-240 V, 50/60 Hz	DC: 186-250 V	
Effekttopptak ( $P_{on}$ )	RS PRO LED S10 PC	9,10 W	
	RS PRO LED S20 PC	15,70 W	
	RS PRO LED S20 IP 65	15,70 W	
Lysstrøm (360°)	RS PRO LED S10	NW: 919 lm /	WW: 858 lm
	RS PRO LED S10 MP	NW: 919 lm /	WW: 858 lm
	RS PRO LED S20 PC	NW: 1 537 lm /	WW: 1 435 lm
	RS PRO LED S20 PC MP	NW: 1 537 lm /	WW: 1 435 lm
	RS PRO LED S20 IP 65	NW: 1 284 lm /	WW: 1 209 lm
Effektivitet	RS PRO LED S10	NW: 101 lm/W /	WW: 94 lm/W
	RS PRO LED S10 MP	NW: 101 lm/W /	WW: 94 lm/W
	RS PRO LED S20 PC	NW: 98 lm/W /	WW: 91 lm/W
	RS PRO LED S20 PC MP	NW: 98 lm/W /	WW: 91 lm/W
	RS PRO LED S20 IP 65	NW: 82 lm/W /	WW: 77 lm/W
Standby sensor ( $P_{sb}$ )	RS PRO LED S10	0,38 W	
	RS PRO LED S20 PC	0,39 W	
	RS PRO LED S20 IP 65	0,39 W	
Standby nettverk ( $P_{net}$ )	RS PRO LED S10	0,33 W	
	RS PRO LED S20 PC	0,33 W	
	RS PRO LED S20 IP 65	0,33 W	
Effektfaktor	RS PRO LED S10	0,90	
	RS PRO LED S20 PC	0,90	
	RS PRO LED S20 PC IP 65	0,90	
Fargetemperatur	3 000 K (varmhvitt - vh) 4 000 K (nøytralhvitt - nh)		
Fargegjengivelsesindeks	$R_a = 82$		
Middels levetid	L70B50 ved 25 °C: >60 000 t.		
Fargekonsistens SDCM	Startverdi: 3		
Lysstyrkefordeling	S10 PC nh/vh	S20 PC nh/vh	S20 PC nh/vh IP65
			

HF-teknologi	5,8 GHz (reagerer temperaturuavhengig på de minste bevegelser) / < 1 mW
Dekningsvinkel	360° med 160° åpningsvinkel
Rekkevidde	Ø 1-8 m, trinnløs innstilling
Maks. dekning	ca. 50 m <sup>2</sup>
Tidsinnstilling	5 s - 60 min
Skumringsinnstilling	2-2 000 lux
Grunnlys	kan stilles inn fra 7-100 %
Hovedlys	kan stilles inn fra 7-100 %
Kapslingsgrad	S10: IP 20 S20: IP 20 S20: IP 65: IP 65
IK-klasse	PC: IK07 IP 65: IK10
Kapslingsklasse	II
Omgivelsestemperatur	-10 til +40 °C
Frekvens Bluetooth	2,4-2,48 GHz
Sendeeffekt Bluetooth	5 dBm/3 mW
Energieffektivitetsklasse	Dette produktet inneholder en lyskilde med energieffektivitetsklasse «D»

NO

## 12. Driftsfeil

Feil	Årsak	Tiltak
Sensorlampen har ikke spenning	<ul style="list-style-type: none"> <li>■ Sikringen er gått, ikke slått på, brudd på ledningen</li> <li>■ Kortslutning i nettledningen</li> <li>■ En eventuell nettbryter er slått av</li> </ul>	<ul style="list-style-type: none"> <li>■ Aktiver sikringen, sett i ny, slå på ledningsbryteren, kontroller ledningen med spenningstester</li> <li>■ Kontroller koblingene</li> <li>■ Slå på nettbryter</li> </ul>
Sensorlampen tennes ikke	<ul style="list-style-type: none"> <li>■ Det er valgt feil skumringsinnstilling</li> <li>■ Nettbryter er AV</li> <li>■ Sikringen har reagert</li> </ul>	<ul style="list-style-type: none"> <li>■ Still inn på nytt</li> <li>■ Slå på</li> <li>■ Aktiver sikringen, sett i ny, kontroller ev. koblingene</li> </ul>
Sensorlampen slukkes ikke	<ul style="list-style-type: none"> <li>■ Permanente bevegelser i dekningsområdet</li> </ul>	<ul style="list-style-type: none"> <li>■ Kontroller området</li> </ul>
Sensorlampen tennes uten åpenbar grunn	<ul style="list-style-type: none"> <li>■ Lampen er ikke bevegesessikkert montert</li> <li>■ Det er bevegelser i området som observatøren ikke ser (bevegelser bak vegg, et lite objekt beveger seg i umiddelbar nærhet av lampen etc.)</li> </ul>	<ul style="list-style-type: none"> <li>■ Monter lampehuset godt</li> <li>■ Kontroller området</li> </ul>
Sensorlampen tennes ikke på tross av bevegelser	<ul style="list-style-type: none"> <li>■ Raske bevegelser undertrykkes for feilminimering, eller det er innstilt et for lite dekningsområde</li> <li>■ Det er valgt feil skumringsinnstilling</li> </ul>	<ul style="list-style-type: none"> <li>■ Kontroller området</li> <li>■ Still inn på nytt</li> </ul>

---

**STEINEL Vertrieb GmbH**

Dieselstraße 80-84

33442 Herzebrock-Clarholz

Tel: +49/5245/448-188

[www.steinel.de](http://www.steinel.de)



**Contact**

[www.steinel.de/contact](http://www.steinel.de/contact)

